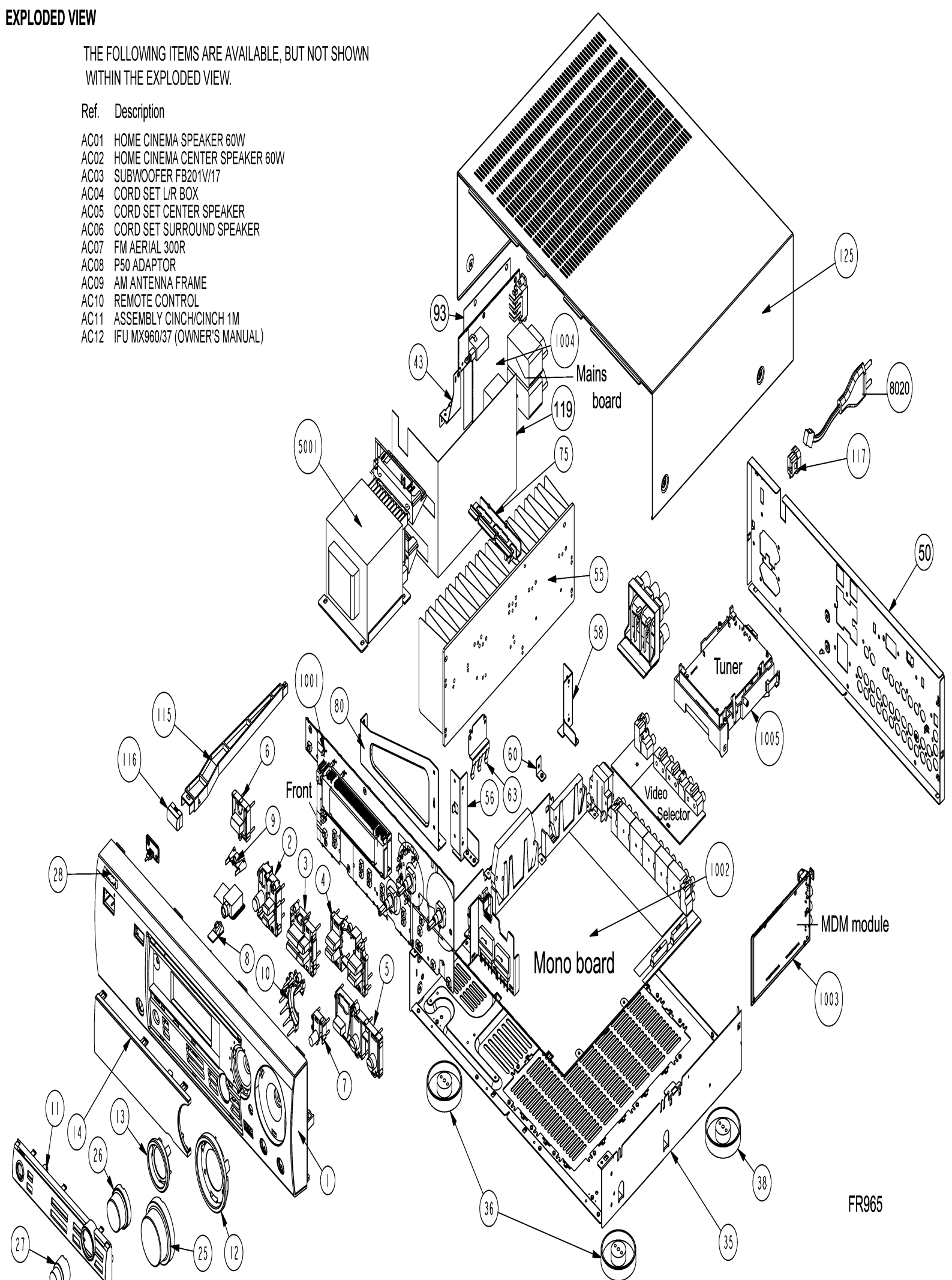


# EXPLODED VIEW

THE FOLLOWING ITEMS ARE AVAILABLE, BUT NOT SHOWN WITHIN THE EXPLODED VIEW.

Ref. Description

- AC01 HOME CINEMA SPEAKER 60W
- AC02 HOME CINEMA CENTER SPEAKER 60W
- AC03 SUBWOOFER FB201V/17
- AC04 CORD SET L/R BOX
- AC05 CORD SET CENTER SPEAKER
- AC06 CORD SET SURROUND SPEAKER
- AC07 FM AERIAL 300R
- AC08 P50 ADAPTOR
- AC09 AM ANTENNA FRAME
- AC10 REMOTE CONTROL
- AC11 ASSEMBLY CINCH/CINCH 1M
- AC12 IFU MX960/37 (OWNER'S MANUAL)



FR965

SCALE 0.250

Note: Only the parts mentioned in this list are normal service parts.

## GENERAL INFORMATION

**Manual 1962 Covering the FR963DHT (FR963/17), FR965DHT (FR965/17), MX955DHT (MX955D/37), MX960DHT (MX960D/37), and MX970DHT (MX970D/37) Digital A/V Surround Receivers**

Display Product View

## SYSTEM INFORMATION

Receiver	Front speaker	Center Box	Surround Box	Subwoofer
MX 960D/37 includes :				
FR965/17	2 x Home Cinema Speaker 60W	Home Cinema Center Speaker 50W	2 x Home Cinema Speaker 60W	FB201V/17
MX 955D/37 includes :				
FR965/17	2 x Home Cinema Speaker 60W	Home Cinema Center Speaker 50W	2 x Home Cinema Speaker 60W	SW090/17 3139 118 78670
MX 970D/37 includes :				
FR963/17	MX970FS/17 9965 000 11850	MX970CS/17 9965 000 11852	MX970RS/17 9965 000 11854	FB201V/17

## Location Of Printed Circuit Boards

Display Circuit Board Location Guide

## Specifications

Display System Specifications

## Service Tools

Audio Signals Test Disc 1.....4822 397 30184

### AVAILABLE ESD PROTECTION EQUIPMENT :

Anti-static table mat large 1200x650x1.25mm	4822 466 10953
Small 600x650x1.25mm	4822 466 10958
Anti-static wristband	4822 395 10223
Connection box (3 press stud connections, 1M )	4822 320 11307

Extendible cable (2m, 2M , to connect wristband to connection box)	4822 320 11305
Connecting cable (3m, 2M , to connect table mat to connection box)	4822 320 11306
Earth cable (1M , to connect any product to mat or to connection box)	4822 320 11308
KIT ESD3 (combining all 6 prior products - small table mat)	4822 310 10671
Wristband tester	4822 344 13999

## **Measurement Setups**

Display Tuner FM Setup

Display Tuner AM Setup

## **Safety/ESD Warning Notices:**

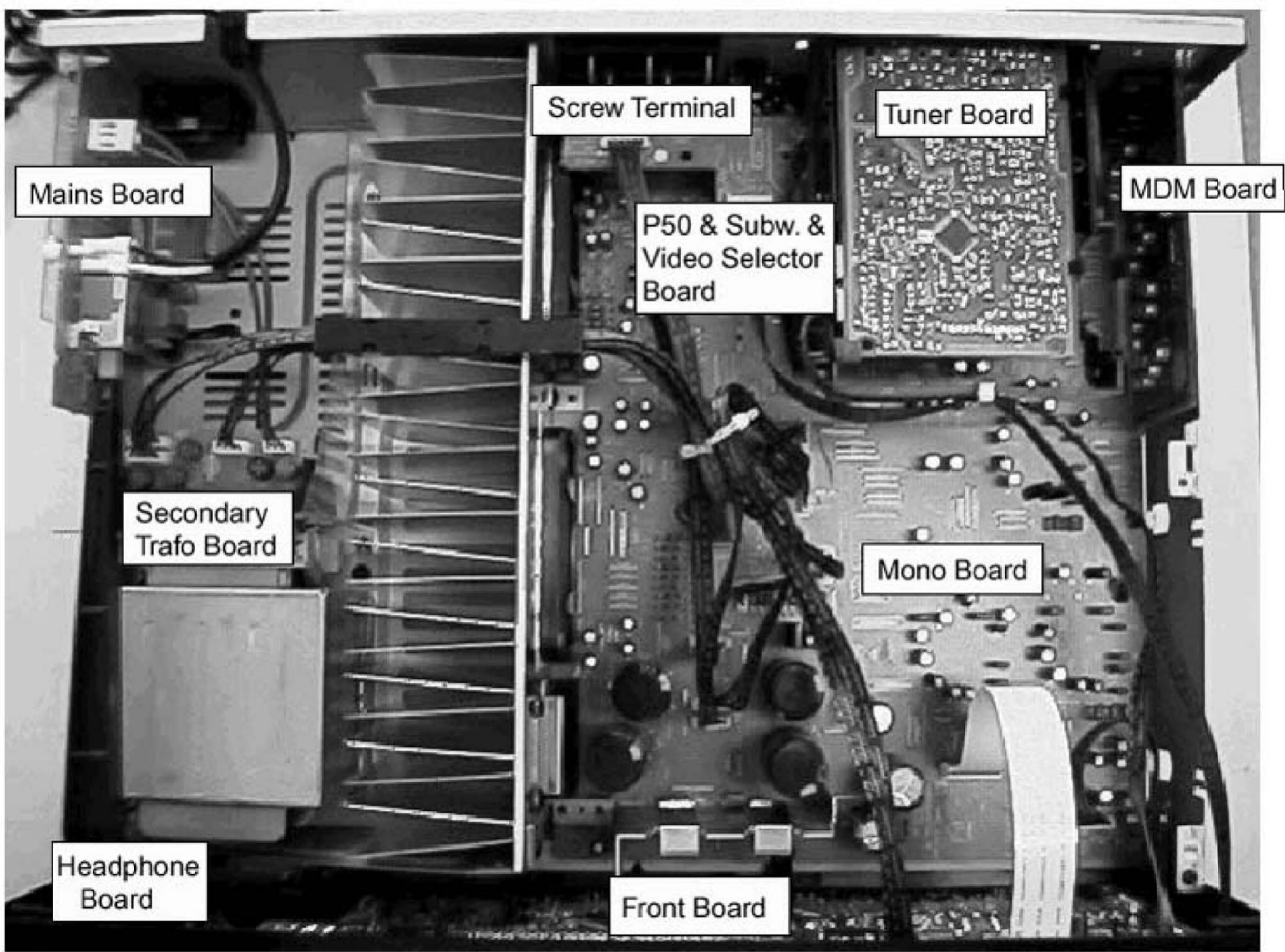
Display Safety/ESD Warning Notices

## **Handling Chip Type (SMD) Components**

Display Chip Handling Guide

## **Abbreviations**

Display Abbreviation List



Mains Board

Screw Terminal

Tuner Board

MDM Board

P50 & Subw. &  
Video Selector  
Board

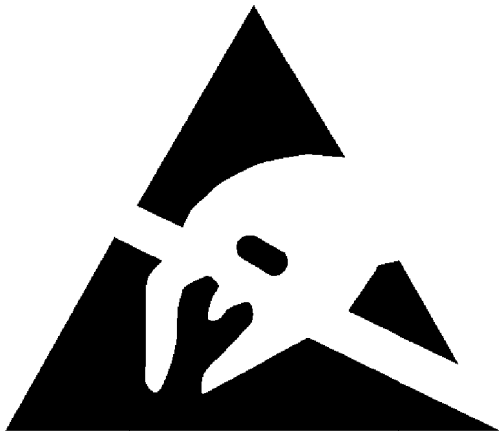
Secondary  
Trafo Board

Mono Board

Headphone  
Board

Front Board

## ESD



### **WARNING**

All ICs and many other semiconductors are susceptible to electrostatic discharges (ESD). Careless handling during repair can reduce life drastically.

When repairing, make sure that you are connected with the same potential as the mass of the set via a wristband with resistance. Keep components and tools at this potential.

---

## SAFETY



Safety regulations require that the set be restored to its original condition and that parts which are identical with those specified be used.

Safety components are marked by the symbol 

---

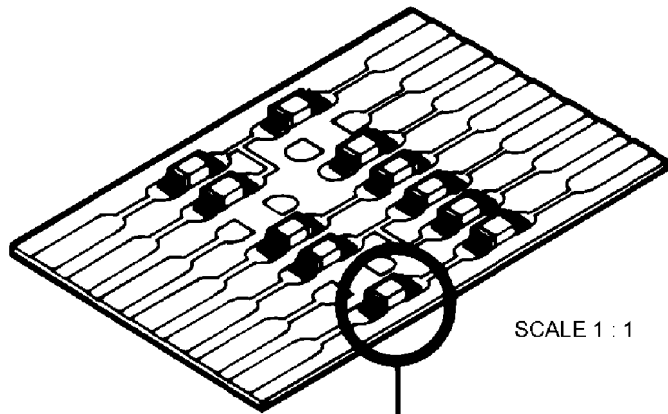
**CLASS 1  
LASER PRODUCT**

**DANGER: Invisible laser radiation when open.  
AVOID DIRECT EXPOSURE TO BEAM.**

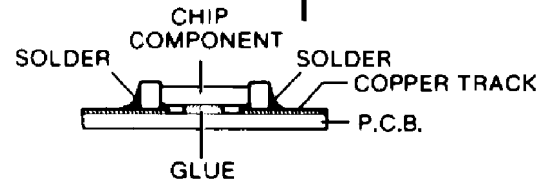
---

# HANDLING CHIP COMPONENTS

## GENERAL

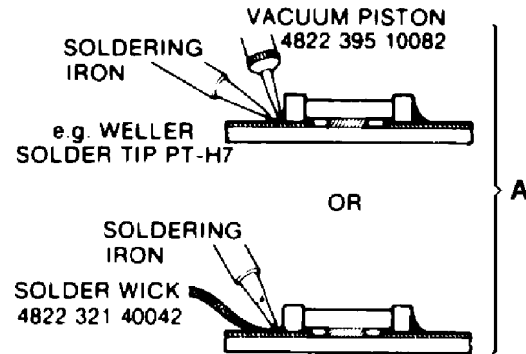


SCALE 1:1

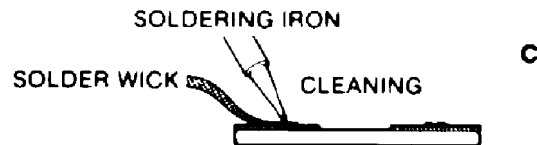
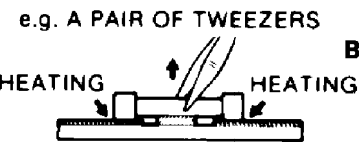
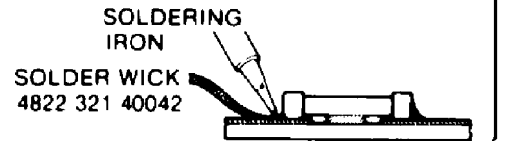


SERVICE PACKAGE

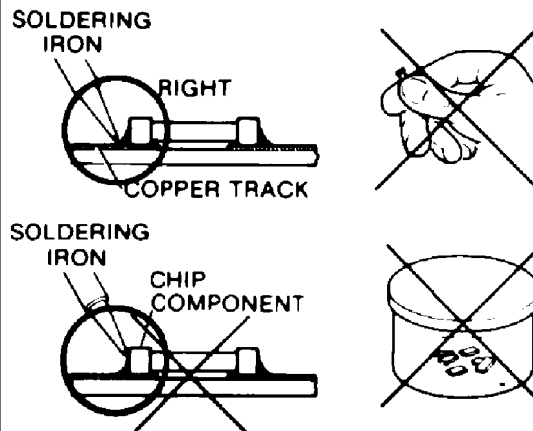
## DISMOUNTING



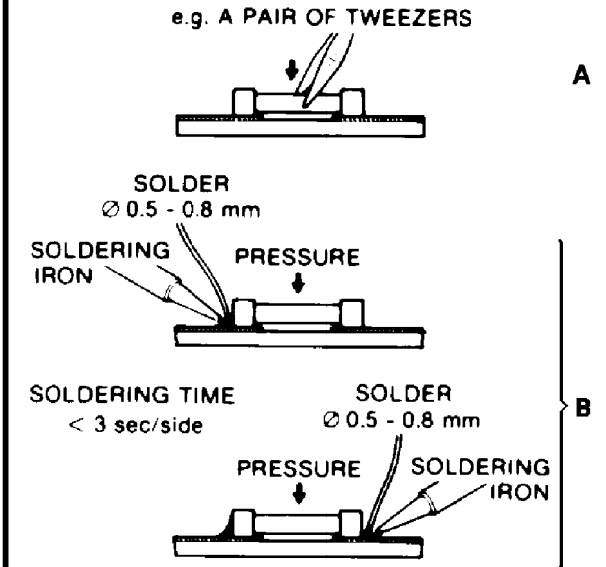
OR



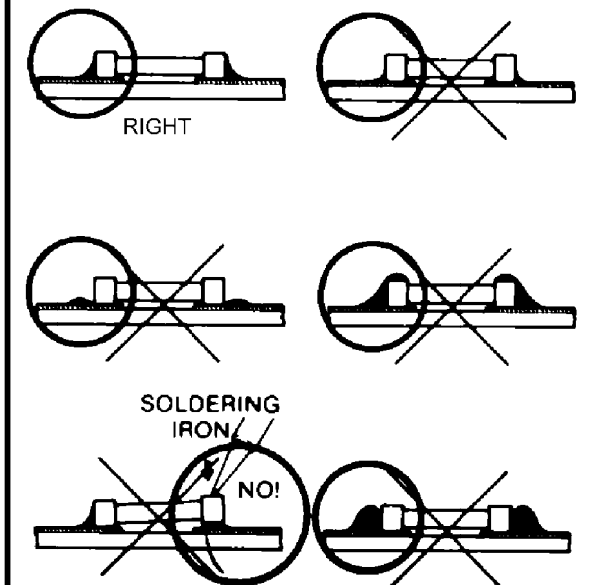
## PRECAUTIONS



## MOUNTING

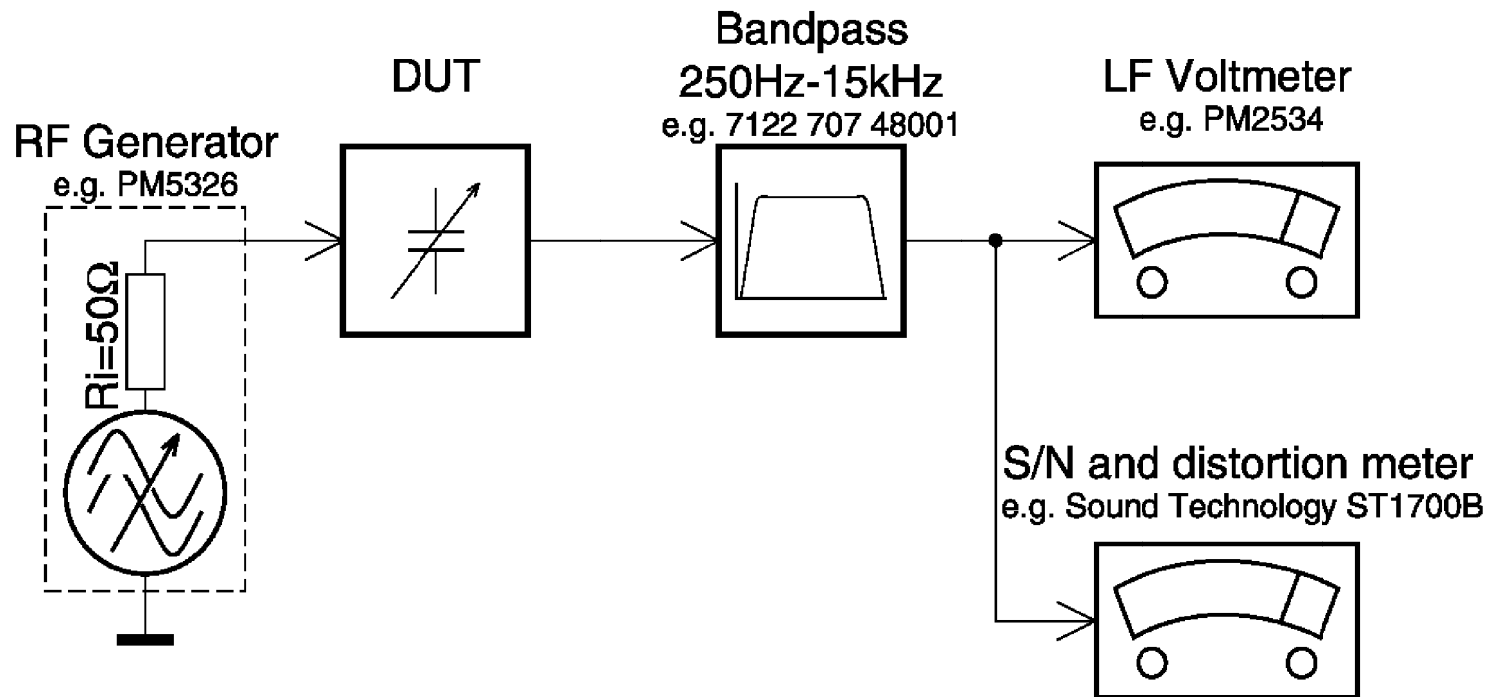


## EXAMPLES



# MEASUREMENT SETUP

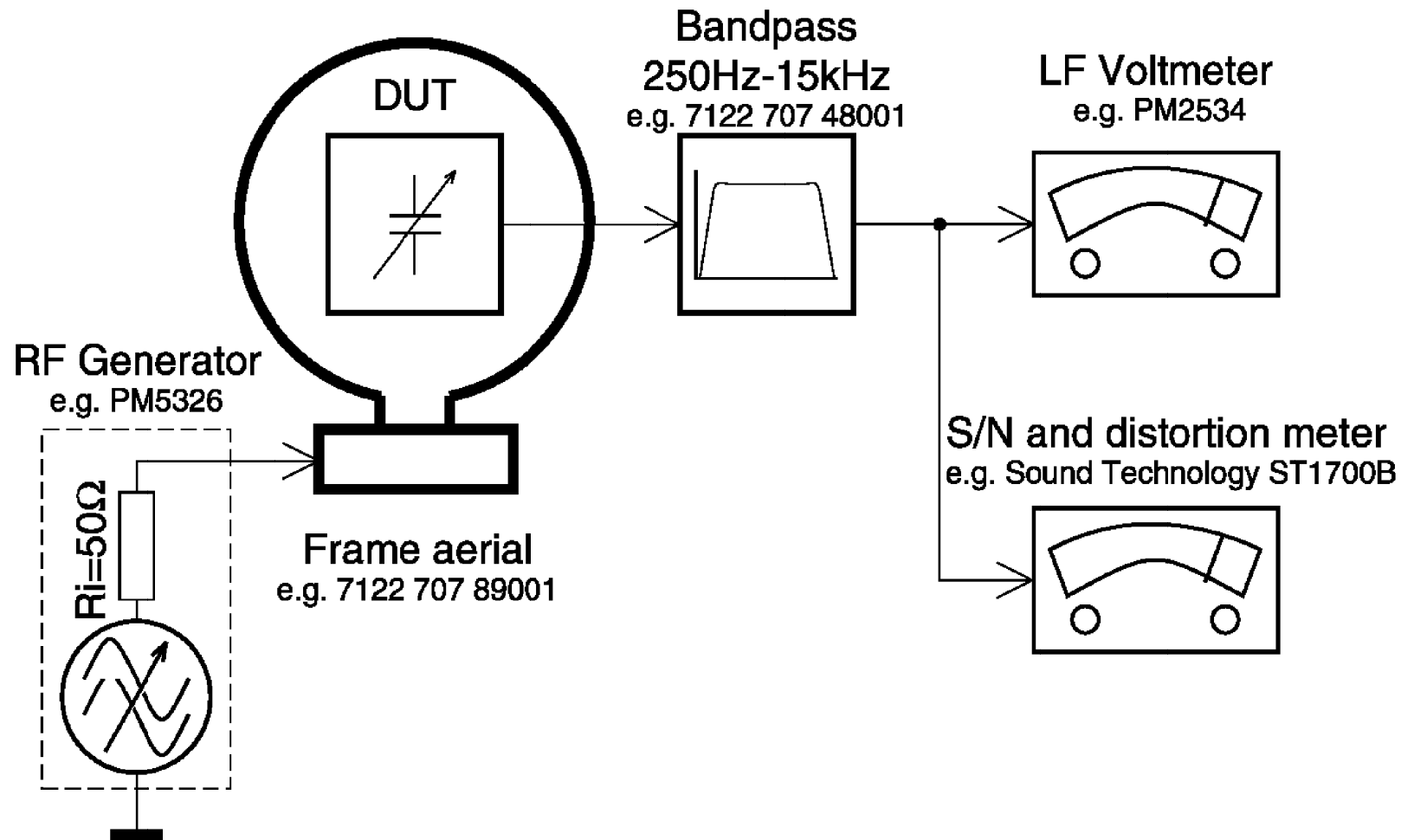
## *Tuner FM*



Use a bandpass filter to eliminate hum (50Hz, 100Hz) and disturbance from the pilot tone (19kHz, 38kHz).

# MEASUREMENT SETUP

## *Tuner AM (MW,LW)*



To avoid atmospheric interference all AM-measurements have to be carried out in a Faraday's cage. Use a bandpass filter (or at least a high pass filter with 250Hz) to eliminate hum (50Hz, 100Hz).



# SPECIFICATION FR965 /17

## General

Mains voltage	: 120V
Mains frequency	: 60Hz
Power consumption	: ≤ 2W at stby
Dimension. wxhxd	: 435x138x350 mm
Remote control	: Multibrand/Universal

## Amplifier

Output power	
Stereo mode (L+R)	: 2x50W FTC (40Hz-20kHz, 0,7%THD, 6Ω)

Surround mode	
L + R	: 2x60W (1kHz, 0,7%THD, 6Ω)
Center	: 60W (1kHz, 0,7%THD, 6Ω)
Surround Left+Right	: 2x60W (1kHz, 0,7%THD, 6Ω)

Distortion (5W)	
1kHz	: ≤ 0,05%
40Hz - 20kHz	: ≤ 0,2%

Headphone	: 6,3mm stereo jack with switch
Output level	: 3V EMF, 60Ω

Crosstalk between source	—1kHz	: ≤ -65dB
(1W)	250Hz – 10kHz	: ≤ -60dB

Crosstalk between channels	-1kHz	: ≤ -55dB
(1W)	250Hz – 10kHz	: ≤ -50dB

Frequency response	: ≤ 10Hz – ≥ 30kHz (-1dB)
--------------------	---------------------------

Power stage protection	: Shortcircuit
	: DC (Vout ≥ 10V) for ±1sec
Temperature	: Transformer ( ≥ 140° Celcius)
	: Heatsink ( ≥ 140° Celcius)

## Audio Selector

Analog Input sensitivity	
Phono	: 5mV impedance 47kΩ/220pf
CD	: 250mV impedance ≥ 47kΩ
CDR/TAPE	: 250mV impedance ≥ 47kΩ
VCR	: 250mV impedance ≥ 47kΩ
TV	: 250mV impedance ≥ 47kΩ
SAT	: 250mV impedance ≥ 47kΩ
6 CH/DVD	: 250mV impedance ≥ 47kΩ

Output level	
CDR/TAPE	: 250mV impedance ≤ 1kΩ
VCR	: 250mV impedance ≤ 1kΩ

Output level (variable)	
Subwoofer pre-out	: 800mV impedance ≤ 1kΩ
Center pre-out	: 800mV impedance ≤ 1kΩ

## Digital Selector

Input	: 2 x cinch
	: 1 x optical
Output	: 1 x cinch

## Video Selector - CVBS

Input sensitivity	
DVD/VCR/TV	: 1 Vpp impedance 75Ω
Output level	
Monitor/VCR	: 1 Vpp impedance 75Ω
Frequency response	: ≤ 50Hz → ≥ 6MHz

## Tone controle

Loudness	
(volume ≤ -30dB Ref: 1kHz=0dB)	: 100Hz +6 dB
	: 10kHz +2,5 dB

Tone control (Ref: 1kHz=0dB)	
	: Bass 100Hz -9dB → +9dB
	: Treble 10kHz -9dB → +9dB

DSC settings		100Hz	1kHz	10kHz
Personal	dB	0	0	0
Movie	dB	+ 4	+2	+4
Speech	dB	- 4	+1	- 2
Music	dB	+ 4	- 1	+2
Multimedia	dB	+ 7	+3	+6

## Multi Channel Decoder - MDM98

MPEG5.1 / MPEG 7.1 (7.1 downmix to 5.1)
Dolby Digital (AC-3)
Linear PCM
Automatic audio/data type detection (AC-3,MPEG-2,PCM)
Dolby Pro Logic
MPEG-2 dual mono channel selection I/II
MPEG-2 dual stereo channel selection I/II
3D Surround (422/423) (522/523)
Virtual MPEG Digital (522/523)
Digital Bass Management
Parallel Stereo Downmix
Four Stereo (224)
Volume Control
Noise Generator (test tone)
Surround mode selector
Delay Center and Surround Left , Surround Right

## Tuner - (ECO5)

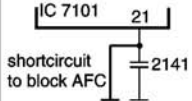
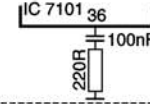
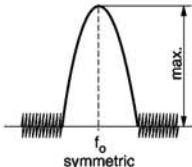
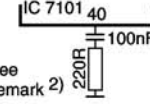
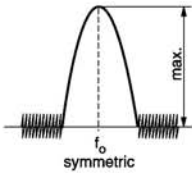
FM	
Tuning range	: 87.5 – 108MHz
Grid	: 100kHz
IF frequency	: 10.7MHz ±25kHz
Aerial input	: 300 Ω clickfit
Sensitivity at 26dB S/N	: ≤ 2μV
Selectivity at 300kHz	: ≥ 55dB
Image rejection	: ≥ 48dB
Distortion at RF=1mV,dev.75kHz	: ≤ 0,9%
-3dB Limiting point	: ≤ 2μV
Crosstalk at RF=1mV,dev.40kHz	: ≥ 27dB

MW	
Tuning range	: 530 - 1700kHz
Grid	: 10kHz
IF frequency	: 450kHz ±1kHz
Aerial input	: Frame aerial
Sensitivity at 26dB S/N	: ≤ 3,5mV/m
Selectivity at 9kHz bandwidth	: ≥ 18dB
IF rejection	: ≥ 64dB
Image rejection	: ≥ 28dB
Distortion at RF=50mV,m=80%	: ≤ 3%

# ABBREVIATIONS

<b>A</b>		<b>P</b>	
ac 0VA	AC 0 Voltage	p gnd	P50 ground
ac 10VB	AC 10 Voltage	p p50	Cinema link P50 code
ac 110VB	AC 110 Voltage	<b>S</b>	
ac 120VB	AC 120 Voltage	s gnd	Surround ground
ac gnd	AC ground	sofac scl	Sofac I <sup>2</sup> C clock
ac h1	AC high voltage 1	sofac1 sda1	Sofac 1 I <sup>2</sup> C data1
ac h2	AC high voltage 2	sofac2 sda2	Sofac 2 I <sup>2</sup> C data2
ac l1	AC low voltage 1	ss ce	Source selector chipenable
ac l2	AC low voltage 2	ss clk	Source selector clock
ac1	AC voltage 1	ss data	Source selector data
ac2	AC voltage 2	surr pre-out	Surround pre-out
ac3	AC voltage 3	<b>T</b>	
amp lr on	Amplifier Left - Right On	tu clk	Tuner clock
amp mute c s	Amplifier mute center surround	tu da	Tuner data
amp mute c s sub	Amplifier mute center surround subwoofer	tu en	Tuner enable
amp mute lr	Amplifier mute Left - Right	tu gnd	Tuner ground
amp pd	Amplifier power down	tu l	Tuner Left
amp prot	Amplifier protection	tu r	Tuner Right
amp s on	Amplifier surround On	tu rds	Tuner RDS
amp stby	Amplifier Standby	tu stereo	Tuner stereo
av gnd	Audio ground	<b>V</b>	
av l	Audio Left	v gnd	Video ground
av r	Audio Right	v scl	Video I <sup>2</sup> C clock
A/V	Audio/Video	v sda	Video I <sup>2</sup> C data
<b>F</b>		v sig	Video signal
f1	Filament 1	v sub sur	Video subwoofer surround
f2	Filament 2	<b>G</b>	
fmute	Fast mute	gnd d	Ground digital
<b>G</b>		gnd s	Ground signal
<b>H</b>		<b>L</b>	
hp gnd	Headphone ground	ls c	Loudspeaker Center
hp l	Headphone Left	ls gnd	Loudspeaker ground
hp on	Headphone On	ls l	Loudspeaker Left
hp r	Headphone Right	ls r	Loudspeaker Right
hst	Heatsink temperature	<b>M</b>	
<b>L</b>		mdm	<u>M</u> ulti channel <u>D</u> ecoding <u>M</u> odule
ls c	Loudspeaker Center	mdm c out	— Center out
ls gnd	Loudspeaker ground	mdm gnd	— ground
ls l	Loudspeaker Left	mdm l dmix	— Downmix Left
ls r	Loudspeaker Right	mdm l in	— Left in
<b>M</b>		mdm l out	— Left out
mdm	<u>M</u> ulti channel <u>D</u> ecoding <u>M</u> odule	mdm r dmix	— Downmix Right
mdm c out	— Center out	mdm r in	— Right in
mdm gnd	— ground	mdm r out	— Right out
mdm l dmix	— Downmix Left	mdm req	— request
mdm l in	— Left in	mdm rst	— reset
mdm l out	— Left out	mdm scl	— I <sup>2</sup> C clock
mdm r dmix	— Downmix Right	mdm sda	— I <sup>2</sup> C data
mdm r in	— Right in	mdm sl out	— surround Left out
mdm r out	— Right out	mdm sr out	— surround Right out
mdm req	— request	mdm sub out	— subwoofer out
mdm rst	— reset	mfd	Mains failure detection
mdm scl	— I <sup>2</sup> C clock		
mdm sda	— I <sup>2</sup> C data		
mdm sl out	— surround Left out		
mdm sr out	— surround Right out		
mdm sub out	— subwoofer out		
mfd	Mains failure detection		

# TUNER ADJUSTMENT TABLE ( ECO5 FM/MW- and FM/MW/LW - versions with AM-frame aerial )

Waverange	Input frequency	Input	Tuned to	Adjust	Output	Scope/Voltmeter
<b>VARICAP ALIGNMENT</b>						
<b>FM</b> 87.5 - 108MHz (65.81 - 74, 87.5 - 108MHz)			108MHz	5130	◇ 1	8V ±0.2V
			87.5MHz (65.81MHz)	check		4.3V ±0.5V (1.2V ±0.5V)
<b>MW</b> FM/AM-version, 10kHz grid 530 - 1700kHz			1700kHz	5123		8V ±0.2V
			530kHz	check		1.1V ±0.4V
FM/MW-version, 9kHz grid 531 - 1602kHz			1602kHz	5123		6.9V ±0.2V
			531kHz	check		1.1V ±0.4V
<b>LW</b>  153 - 279kHz			279kHz	5122		8V ±0.2V
			153kHz	check		1.1V ±0.4V
<b>MW</b> FM/MW/LW- version, 9kHz grid 531 - 1602kHz			1602kHz	5123	8V ±0.2V	
			531kHz	check	1.1V ±0.4V	
<b>FM IF</b>						
<b>FM</b>	10.7MHz, 50mV continuous wave	◇ F		5119	◇ 2	0 ± 3 mV DC
<b>FM RF</b>						
<b>FM</b> 87.5 - 108MHz (65.81 - 74, 87.5 - 108MHz)	108MHz	◇ A	108MHz	2155	◇ 4	MAX
	87.5MHz (65.81MHz)	mod=1kHz $\Delta f = \pm 22.5\text{kHz}$	87.5MHz (65.81MHz)	5131		
<b>VCO</b>						
<b>FM</b>	98MHz, 1mV continuous wave	◇ A	98MHz	3142	◇ 3	152kHz ±1kHz <sup>1)</sup>
<b>AM IF</b>						
<b>MW</b>	450kHz  connect pin 6 of IC 7101 (AM Osc.) with short wire to ground (pin 4)	◇ C		5111	◇ 4	
				5112		
<b>AM AFC</b> <b>MW</b>		◇ C		5114	◇ 2	0 ± 2 mV DC
<b>AM RF <sup>3)</sup></b>						
<b>MW <sup>4)</sup></b> FM/MW/LW- and FM/MW-version (9kHz grid) 531 - 1602kHz	1494kHz	◇ B	1494kHz	2106	◇ 4	
	558kHz		558kHz	5102		
<b>LW</b>	198kHz		198kHz	5103		
<b>MW</b> FM/AM-version, 10kHz grid 530 - 1700kHz	1500kHz		$\Delta f = \pm 30\text{kHz}$ $V_{RF}$ as low as possible	1500kHz		
	560kHz	560kHz	5102			

Use service test program. By selecting the TUNER TEST test frequencies will be stored as preset frequencies automatically.

ECO5, discr. coil, 090797

<sup>1)</sup> If sensitivity of frequency counter is too low adjust to max. channel separation (input signal: stereo left 90% + 9%, adjust output on right channel to minimum)

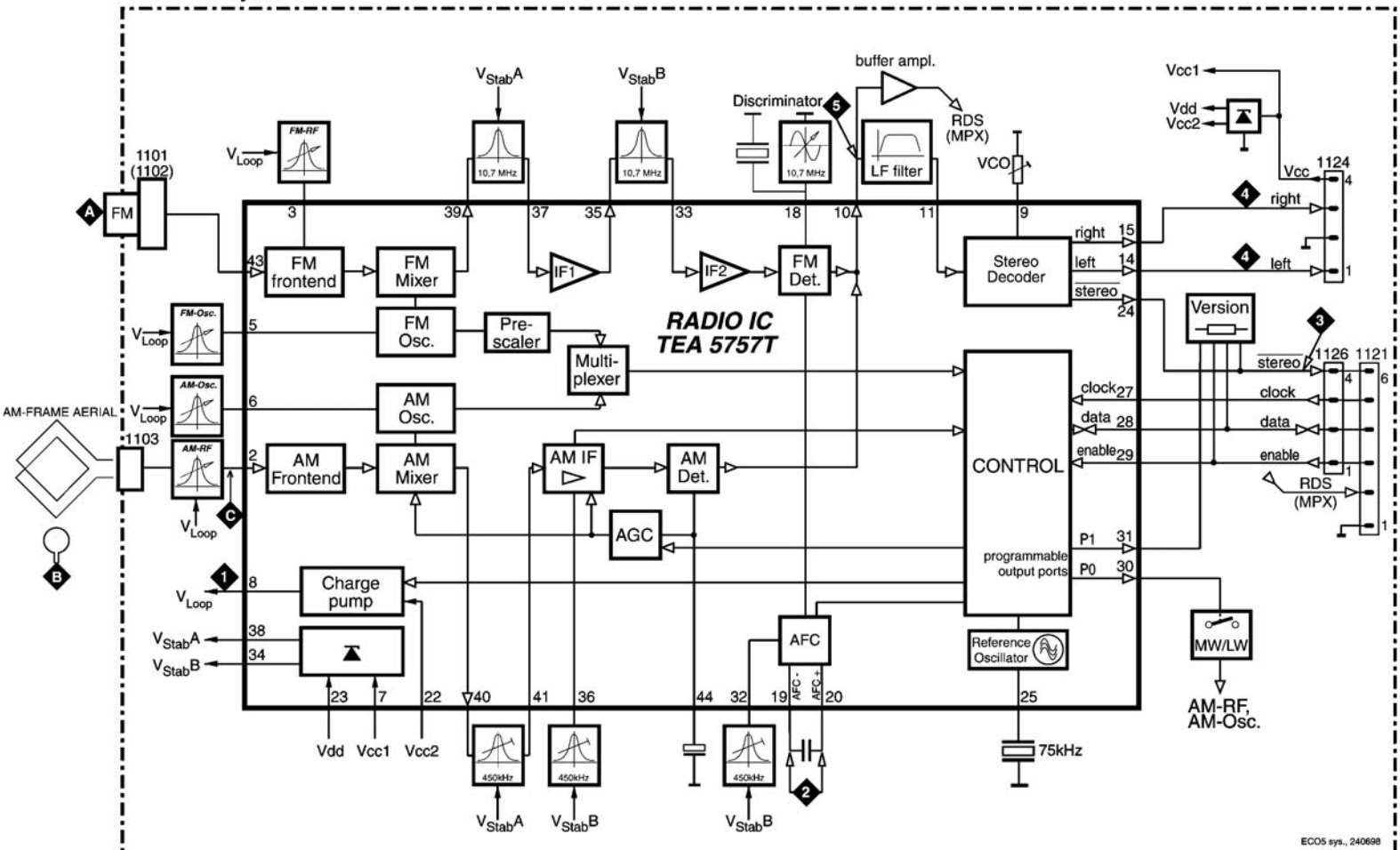
<sup>2)</sup> RC network serves for damping the IF-filter while adjusting the other one.

<sup>3)</sup> For AM RF adjustments the original frame antenna has to be used !

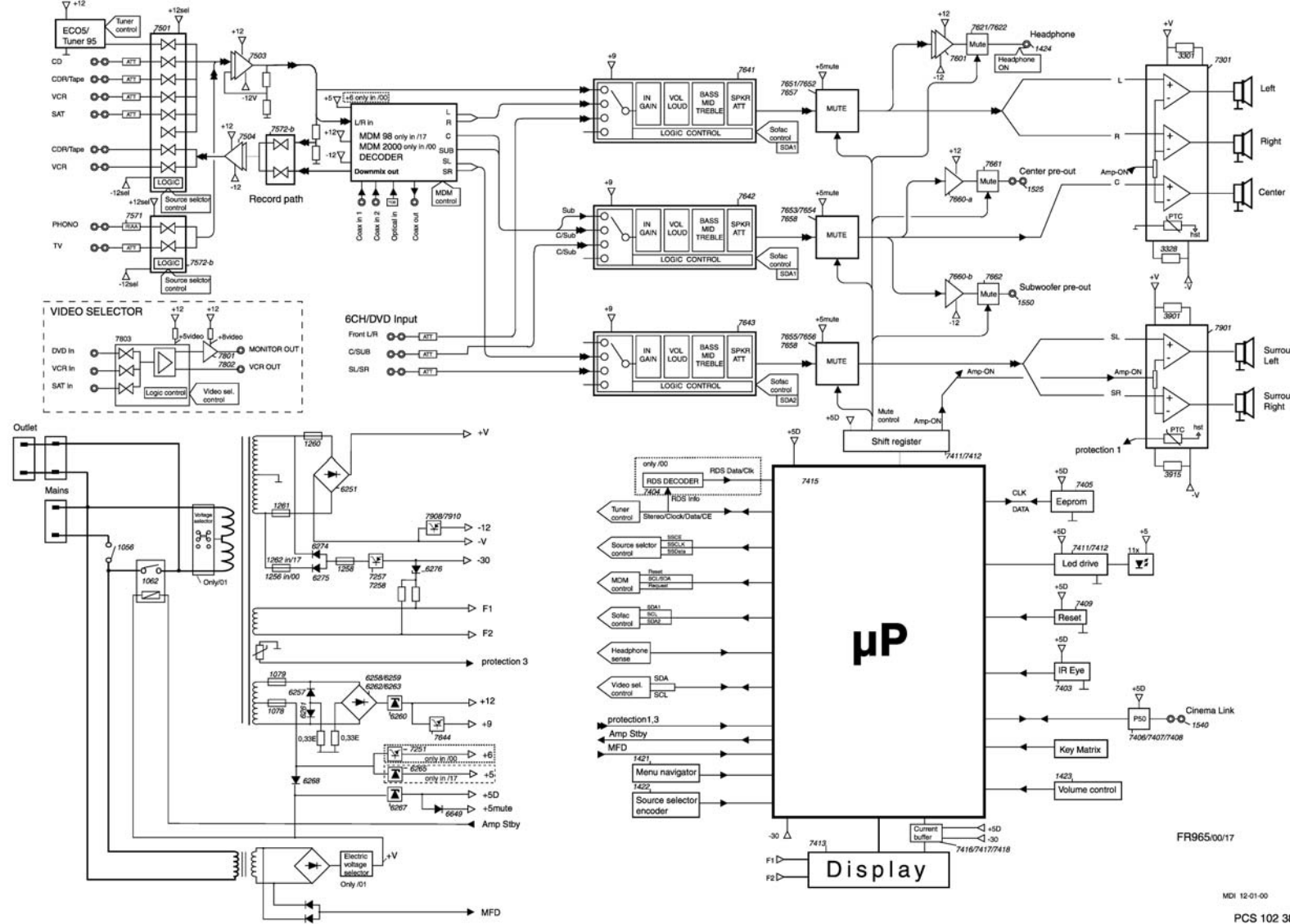
<sup>4)</sup> MW has to be aligned before LW.

# TUNER BOARD

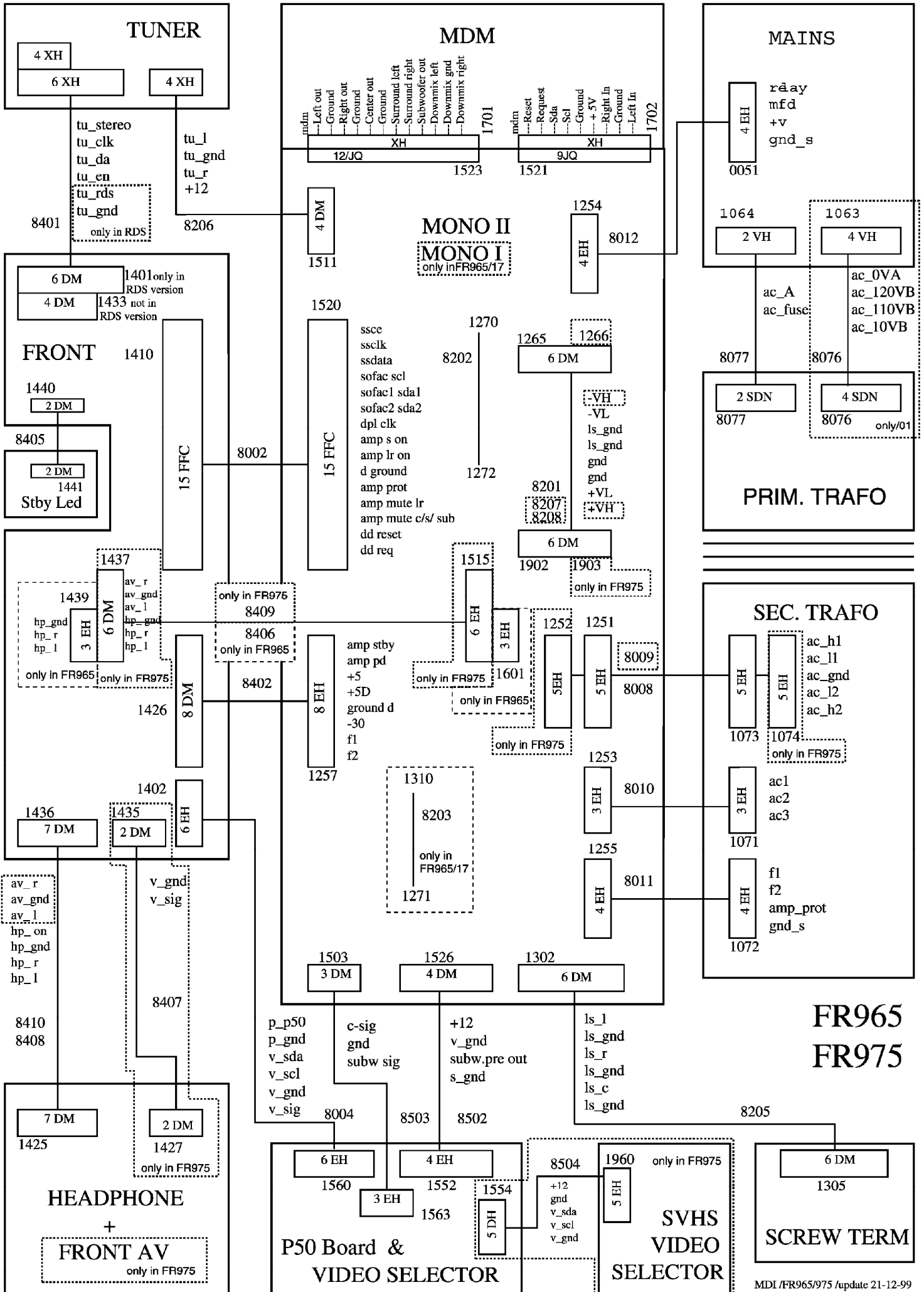
## ECO 5 systems



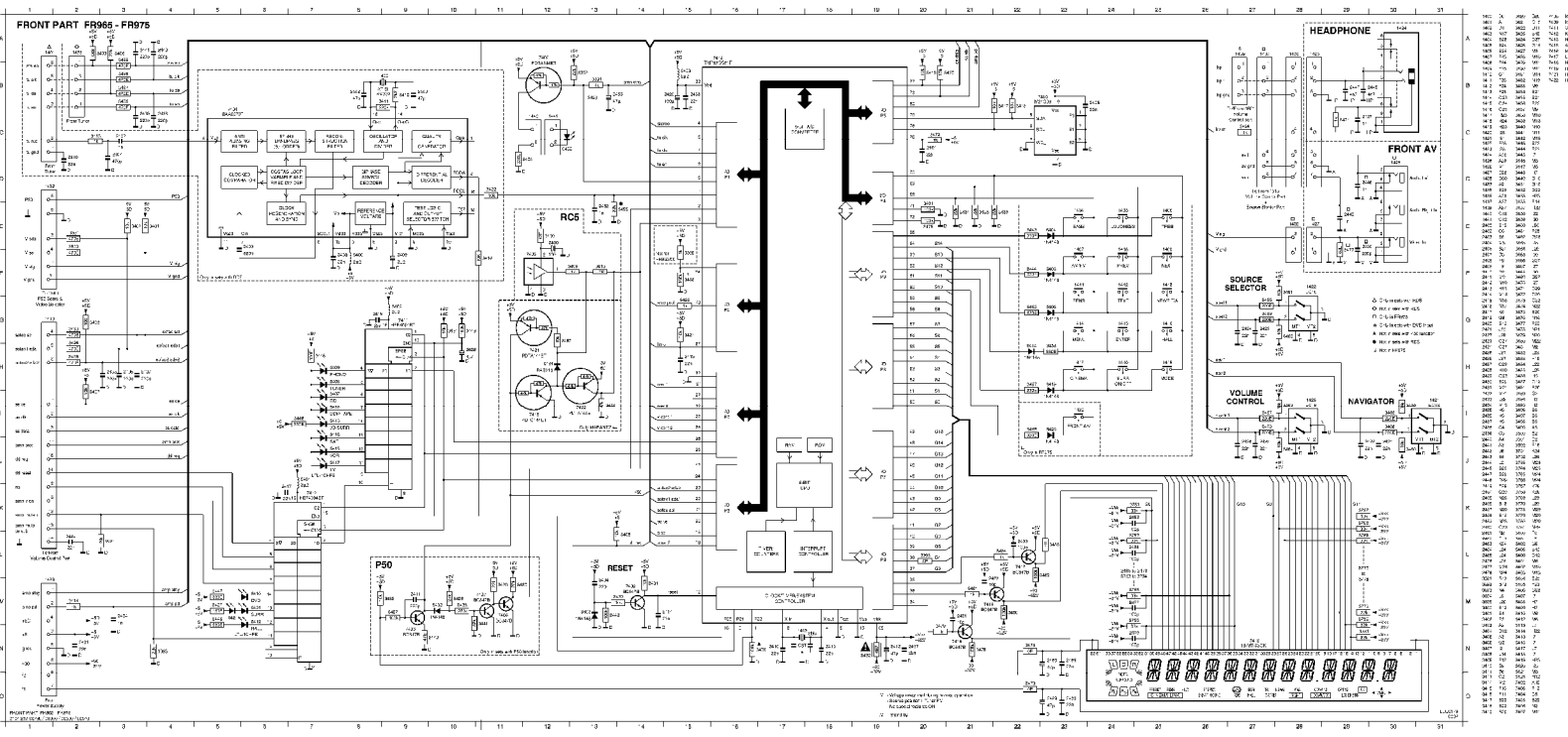
**BLOCKDIAGRAM**



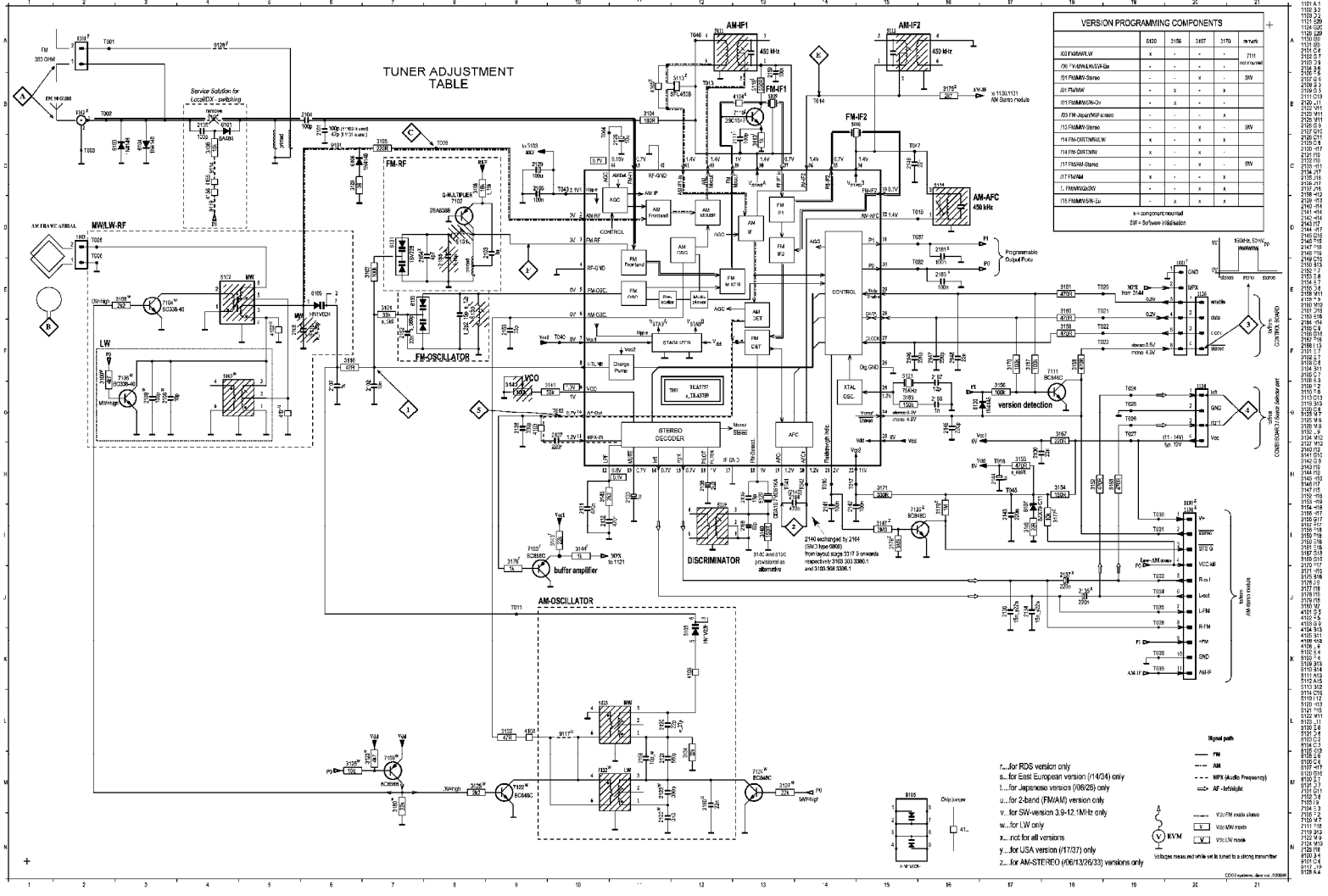
# WIRING DIAGRAM



FR965  
FR975



### TUNER BOARD ECO5 / Systems



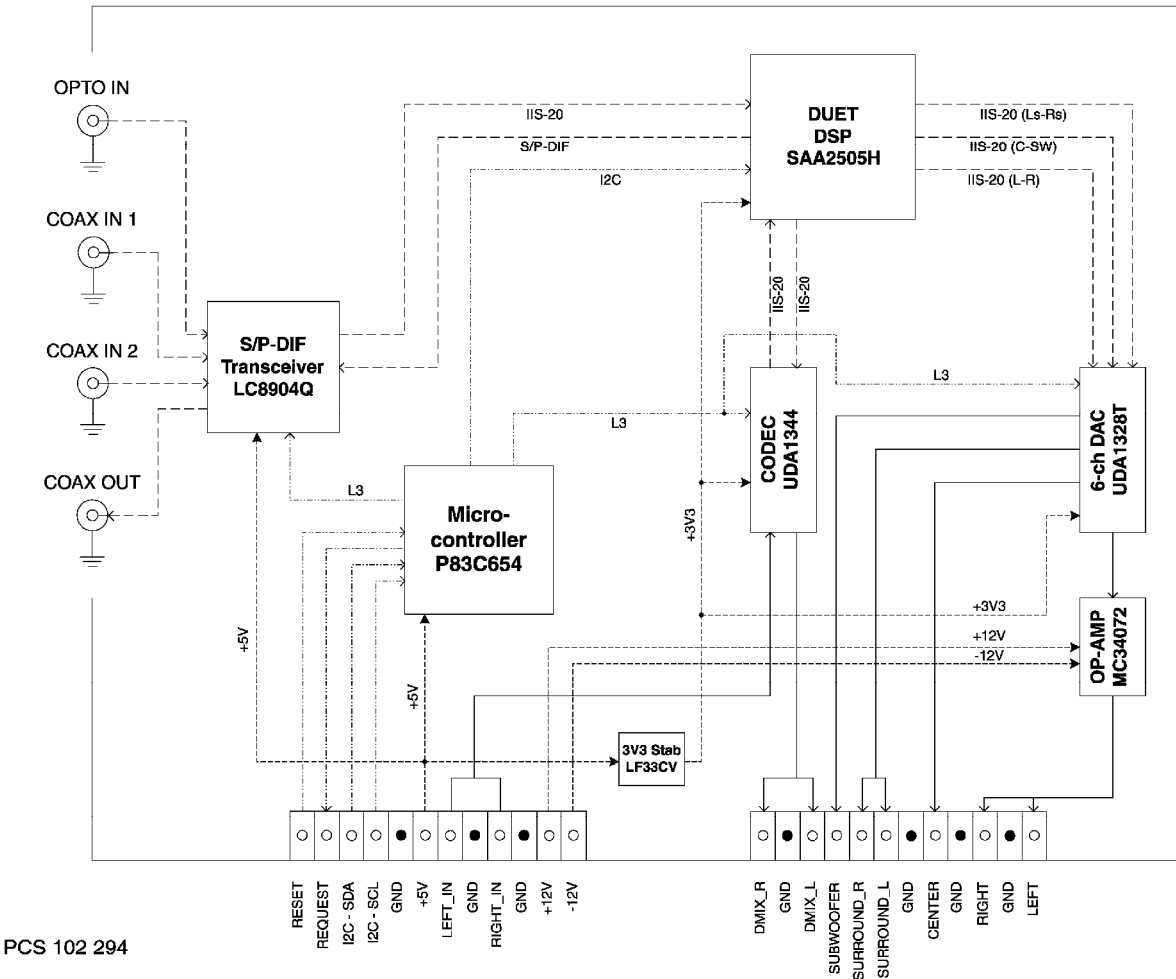
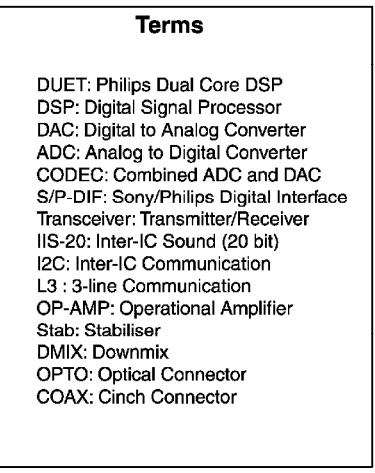
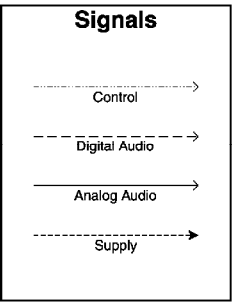
1101 A  
1102 B  
1103 C  
1104 D  
1105 E  
1106 F  
1107 G  
1108 H  
1109 I  
1110 J  
1111 K  
1112 L  
1113 M  
1114 N  
1115 O  
1116 P  
1117 Q  
1118 R  
1119 S  
1120 T  
1121 U  
1122 V  
1123 W  
1124 X  
1125 Y  
1126 Z  
1127  
1128  
1129  
1130  
1131  
1132  
1133  
1134  
1135  
1136  
1137  
1138  
1139  
1140  
1141  
1142  
1143  
1144  
1145  
1146  
1147  
1148  
1149  
1150  
1151  
1152  
1153  
1154  
1155  
1156  
1157  
1158  
1159  
1160  
1161  
1162  
1163  
1164  
1165  
1166  
1167  
1168  
1169  
1170  
1171  
1172  
1173  
1174  
1175  
1176  
1177  
1178  
1179  
1180  
1181  
1182  
1183  
1184  
1185  
1186  
1187  
1188  
1189  
1190  
1191  
1192  
1193  
1194  
1195  
1196  
1197  
1198  
1199  
1200



### BLOCK-DIAGRAM

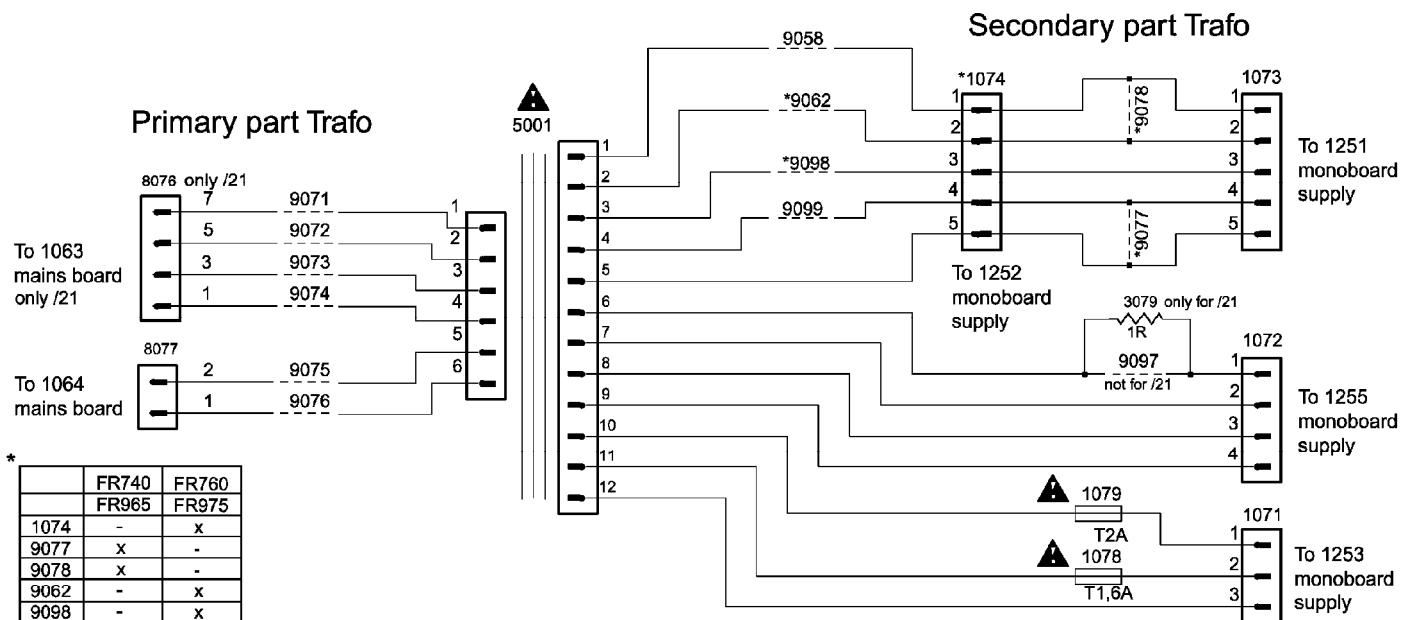
Note: No Schematic is provided here as this Circuit Board Assembly is considered to be a "non-repairable / replace only" type assembly. Individual parts are limited, refer to the PCB Overlay.

### MULTI-CHANNEL DECODING MODULE '98



PCS 102 294

# MAINS TRAF0 PART

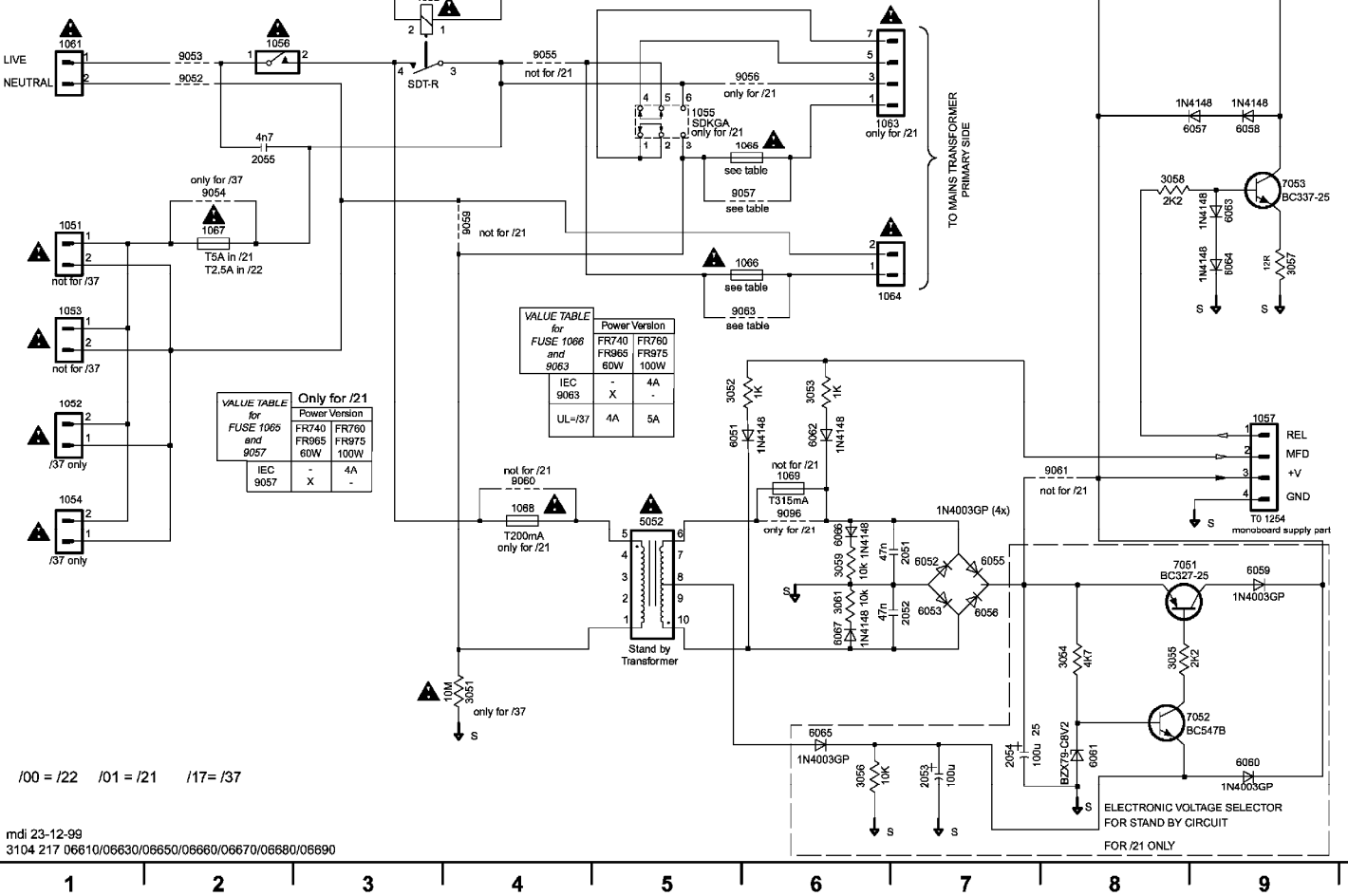


\*

	FR740	FR760
	FR965	FR975
1074	-	x
9077	x	-
9078	x	-
9062	-	x
9098	-	x

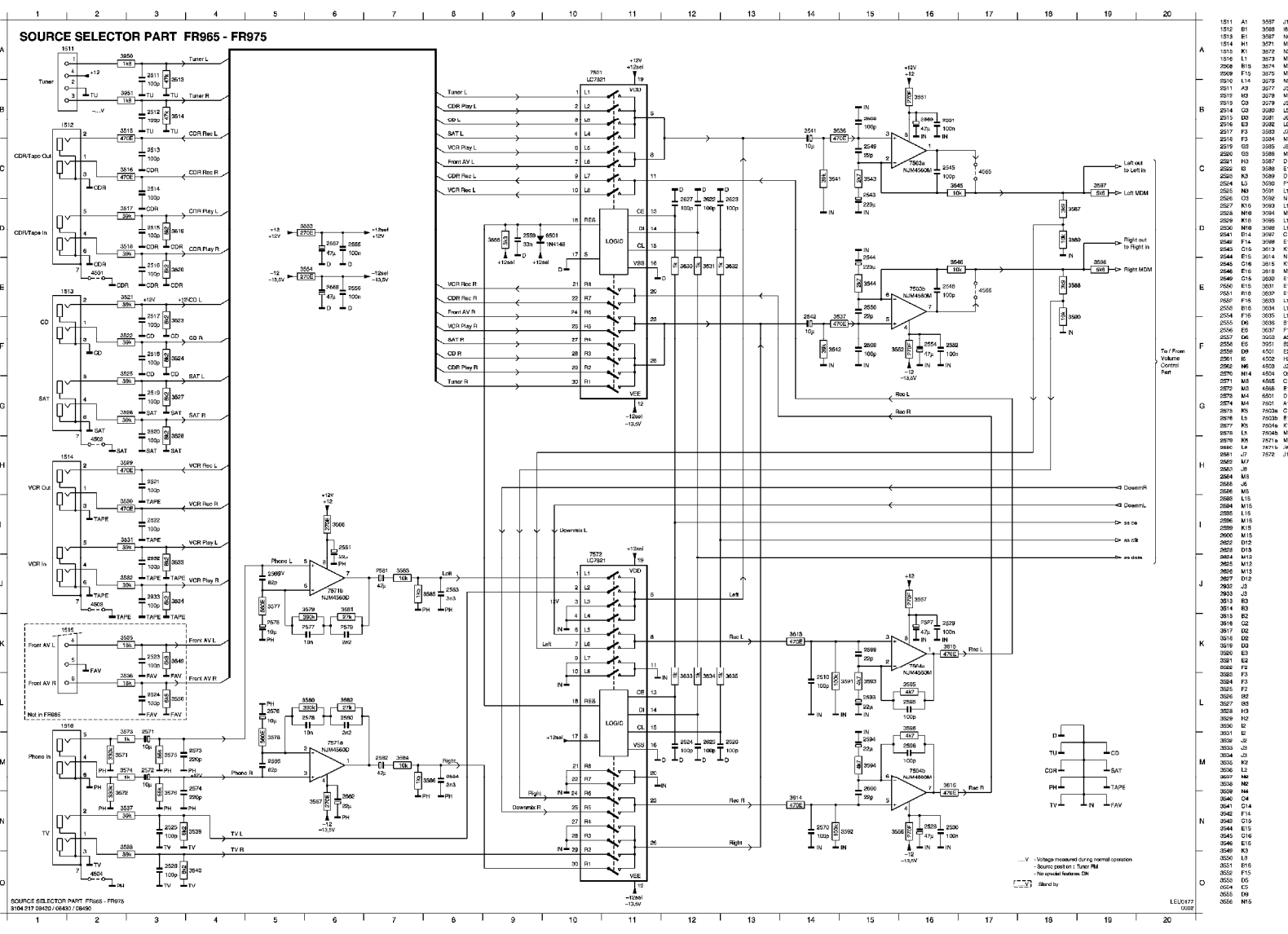
/00 = /22 /01= /21 /17= /37

# MAINS BOARD CIRCUIT DIAGRAM



- 9051 D9
- 1051 B1
- 1052 D1
- 1053 C1
- 1054 D1
- 1055 B5
- 1056 A2
- 1057 D6
- 1061 A1
- 1062 A3
- 1063 B6
- 1064 C6
- 1065 B8
- 1066 C6
- 1067 B2
- 1068 D4
- 1069 D6
- 2051 E7
- 2052 E7
- 2053 F7
- 2054 F7
- 2055 B2
- 3051 F4
- 3052 C6
- 3053 C8
- 3054 E8
- 3055 E8
- 3056 F6
- 3057 C9
- 3058 B8
- 3059 E8
- 3061 E5
- 5051 A2
- 5052 D5
- 6052 E7
- 6053 E6
- 6055 E7
- 6056 E7
- 6057 B9
- 6058 B9
- 6059 E9
- 6060 F9
- 6061 F8
- 6062 D6
- 6063 B9
- 6064 C9
- 6065 F6
- 6066 D8
- 6067 E7
- 7051 E8
- 7052 F8
- 7053 B9
- 9051 A2
- 9052 A2
- 9053 A2
- 9054 B2
- 9055 A4
- 9056 A8
- 9057 B5
- 9059 B4
- 9060 D4
- 9061 D8
- 9063 C6
- 9064 A5
- 9065 B1
- 9066 B1
- 9067 E2
- 9068 E2
- 9069 F2
- 9070 F2

mdi 23-12-99  
3104 217 06610/06630/06650/06660/06670/06680/06690

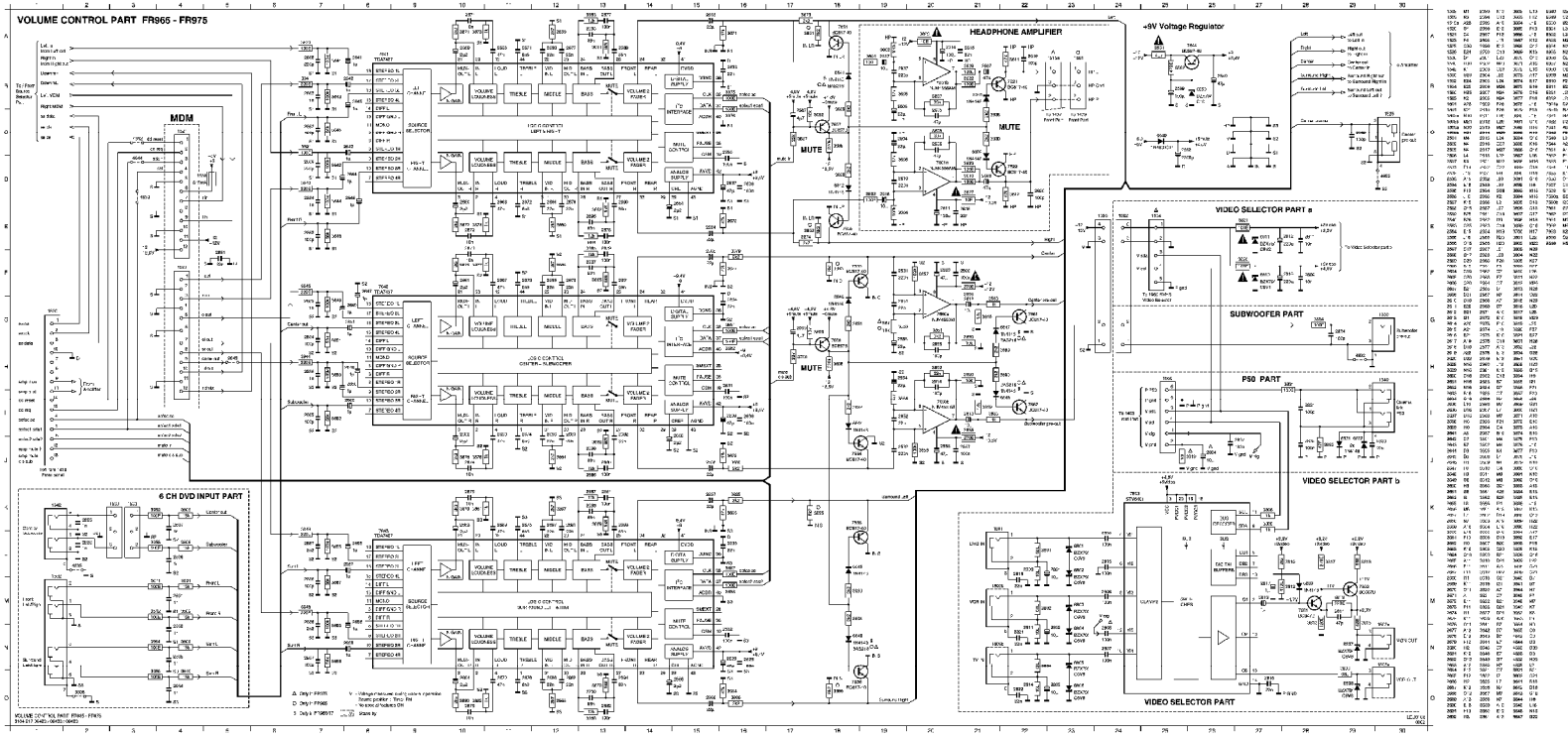


SOURCE SELECTOR PART FR965 - FR975

- 1511 A1 3557 J8
- 1512 E1 3558 J8
- 1513 E1 3557 M5
- 1514 M1 3571 M2
- 1515 K1 3572 N2
- 1516 B2 3573 M2
- 1520R E15 3574 M2
- 1520E F15 3575 M2
- 15210 L14 3576 M2
- 15211 A3 3577 J5
- 15212 A3 3578 J5
- 15213 D3 3579 J5
- 15214 D3 3580 J5
- 15215 D3 3581 J5
- 15216 E3 3582 L2
- 15217 F3 3583 J7
- 15218 F3 3584 M7
- 15219 G3 3585 J7
- 15220 G3 3586 M8
- 15221 H3 3587 D18
- 15222 H3 3588 E18
- 15223 H3 3589 D18
- 15224 I3 3590 F18
- 15225 M3 3591 L15
- 15226 K3 3592 M15
- 15227 K10 3593 L15
- 15228 M18 3594 M15
- 15229 M18 3595 L16
- 15230 M18 3596 L18
- 15231 M18 3597 C19
- 15232 P14 3598 E18
- 15233 P15 3599 K14
- 15234 E15 3604 M14
- 15235 D16 3605 E18
- 15236 E16 3618 M14
- 15237 M16 3620 E18
- 15238 E16 3621 E18
- 15239 M16 3622 L17
- 15240 M16 3623 L17
- 15241 F16 3624 M14
- 15242 F16 3625 E18
- 15243 D16 3626 B14
- 15244 D16 3627 B14
- 15245 D16 3628 B14
- 15246 D16 3629 B14
- 15247 D16 3630 B14
- 15248 D16 3631 B14
- 15249 D16 3632 B14
- 15250 D16 3633 B14
- 15251 D16 3634 B14
- 15252 D16 3635 B14
- 15253 D16 3636 B14
- 15254 D16 3637 B14
- 15255 D16 3638 B14
- 15256 D16 3639 B14
- 15257 D16 3640 B14
- 15258 D16 3641 B14
- 15259 D16 3642 B14
- 15260 D16 3643 B14
- 15261 D16 3644 B14
- 15262 D16 3645 B14
- 15263 D16 3646 B14
- 15264 D16 3647 B14
- 15265 D16 3648 B14
- 15266 D16 3649 B14
- 15267 D16 3650 B14
- 15268 D16 3651 B14
- 15269 D16 3652 B14
- 15270 D16 3653 B14
- 15271 D16 3654 B14
- 15272 D16 3655 B14
- 15273 D16 3656 B14
- 15274 D16 3657 B14
- 15275 D16 3658 B14
- 15276 D16 3659 B14
- 15277 D16 3660 B14
- 15278 D16 3661 B14
- 15279 D16 3662 B14
- 15280 D16 3663 B14
- 15281 D16 3664 B14
- 15282 D16 3665 B14
- 15283 D16 3666 B14
- 15284 D16 3667 B14
- 15285 D16 3668 B14
- 15286 D16 3669 B14
- 15287 D16 3670 B14
- 15288 D16 3671 B14
- 15289 D16 3672 B14
- 15290 D16 3673 B14
- 15291 D16 3674 B14
- 15292 D16 3675 B14
- 15293 D16 3676 B14
- 15294 D16 3677 B14
- 15295 D16 3678 B14
- 15296 D16 3679 B14
- 15297 D16 3680 B14
- 15298 D16 3681 B14
- 15299 D16 3682 B14
- 15300 D16 3683 B14
- 15301 D16 3684 B14
- 15302 D16 3685 B14
- 15303 D16 3686 B14
- 15304 D16 3687 B14
- 15305 D16 3688 B14
- 15306 D16 3689 B14
- 15307 D16 3690 B14
- 15308 D16 3691 B14
- 15309 D16 3692 B14
- 15310 D16 3693 B14
- 15311 D16 3694 B14
- 15312 D16 3695 B14
- 15313 D16 3696 B14
- 15314 D16 3697 B14
- 15315 D16 3698 B14
- 15316 D16 3699 B14
- 15317 D16 3700 B14
- 15318 D16 3701 B14
- 15319 D16 3702 B14
- 15320 D16 3703 B14
- 15321 D16 3704 B14
- 15322 D16 3705 B14
- 15323 D16 3706 B14
- 15324 D16 3707 B14
- 15325 D16 3708 B14
- 15326 D16 3709 B14
- 15327 D16 3710 B14
- 15328 D16 3711 B14
- 15329 D16 3712 B14
- 15330 D16 3713 B14
- 15331 D16 3714 B14
- 15332 D16 3715 B14
- 15333 D16 3716 B14
- 15334 D16 3717 B14
- 15335 D16 3718 B14
- 15336 D16 3719 B14
- 15337 D16 3720 B14
- 15338 D16 3721 B14
- 15339 D16 3722 B14
- 15340 D16 3723 B14
- 15341 D16 3724 B14
- 15342 D16 3725 B14
- 15343 D16 3726 B14
- 15344 D16 3727 B14
- 15345 D16 3728 B14
- 15346 D16 3729 B14
- 15347 D16 3730 B14
- 15348 D16 3731 B14
- 15349 D16 3732 B14
- 15350 D16 3733 B14
- 15351 D16 3734 B14
- 15352 D16 3735 B14
- 15353 D16 3736 B14
- 15354 D16 3737 B14
- 15355 D16 3738 B14
- 15356 D16 3739 B14
- 15357 D16 3740 B14
- 15358 D16 3741 B14
- 15359 D16 3742 B14
- 15360 D16 3743 B14
- 15361 D16 3744 B14
- 15362 D16 3745 B14
- 15363 D16 3746 B14
- 15364 D16 3747 B14
- 15365 D16 3748 B14
- 15366 D16 3749 B14
- 15367 D16 3750 B14
- 15368 D16 3751 B14
- 15369 D16 3752 B14
- 15370 D16 3753 B14
- 15371 D16 3754 B14
- 15372 D16 3755 B14
- 15373 D16 3756 B14
- 15374 D16 3757 B14
- 15375 D16 3758 B14
- 15376 D16 3759 B14
- 15377 D16 3760 B14
- 15378 D16 3761 B14
- 15379 D16 3762 B14
- 15380 D16 3763 B14
- 15381 D16 3764 B14
- 15382 D16 3765 B14
- 15383 D16 3766 B14
- 15384 D16 3767 B14
- 15385 D16 3768 B14
- 15386 D16 3769 B14
- 15387 D16 3770 B14
- 15388 D16 3771 B14
- 15389 D16 3772 B14
- 15390 D16 3773 B14
- 15391 D16 3774 B14
- 15392 D16 3775 B14
- 15393 D16 3776 B14
- 15394 D16 3777 B14
- 15395 D16 3778 B14
- 15396 D16 3779 B14
- 15397 D16 3780 B14
- 15398 D16 3781 B14
- 15399 D16 3782 B14
- 15400 D16 3783 B14
- 15401 D16 3784 B14
- 15402 D16 3785 B14
- 15403 D16 3786 B14
- 15404 D16 3787 B14
- 15405 D16 3788 B14
- 15406 D16 3789 B14
- 15407 D16 3790 B14
- 15408 D16 3791 B14
- 15409 D16 3792 B14
- 15410 D16 3793 B14
- 15411 D16 3794 B14
- 15412 D16 3795 B14
- 15413 D16 3796 B14
- 15414 D16 3797 B14
- 15415 D16 3798 B14
- 15416 D16 3799 B14
- 15417 D16 3800 B14
- 15418 D16 3801 B14
- 15419 D16 3802 B14
- 15420 D16 3803 B14
- 15421 D16 3804 B14
- 15422 D16 3805 B14
- 15423 D16 3806 B14
- 15424 D16 3807 B14
- 15425 D16 3808 B14
- 15426 D16 3809 B14
- 15427 D16 3810 B14
- 15428 D16 3811 B14
- 15429 D16 3812 B14
- 15430 D16 3813 B14
- 15431 D16 3814 B14
- 15432 D16 3815 B14
- 15433 D16 3816 B14
- 15434 D16 3817 B14
- 15435 D16 3818 B14
- 15436 D16 3819 B14
- 15437 D16 3820 B14
- 15438 D16 3821 B14
- 15439 D16 3822 B14
- 15440 D16 3823 B14
- 15441 D16 3824 B14
- 15442 D16 3825 B14
- 15443 D16 3826 B14
- 15444 D16 3827 B14
- 15445 D16 3828 B14
- 15446 D16 3829 B14
- 15447 D16 3830 B14
- 15448 D16 3831 B14
- 15449 D16 3832 B14
- 15450 D16 3833 B14
- 15451 D16 3834 B14
- 15452 D16 3835 B14
- 15453 D16 3836 B14
- 15454 D16 3837 B14
- 15455 D16 3838 B14
- 15456 D16 3839 B14
- 15457 D16 3840 B14
- 15458 D16 3841 B14
- 15459 D16 3842 B14
- 15460 D16 3843 B14
- 15461 D16 3844 B14
- 15462 D16 3845 B14
- 15463 D16 3846 B14
- 15464 D16 3847 B14
- 15465 D16 3848 B14
- 15466 D16 3849 B14
- 15467 D16 3850 B14
- 15468 D16 3851 B14
- 15469 D16 3852 B14
- 15470 D16 3853 B14
- 15471 D16 3854 B14
- 15472 D16 3855 B14
- 15473 D16 3856 B14
- 15474 D16 3857 B14
- 15475 D16 3858 B14
- 15476 D16 3859 B14
- 15477 D16 3860 B14
- 15478 D16 3861 B14
- 15479 D16 3862 B14
- 15480 D16 3863 B14
- 15481 D16 3864 B14
- 15482 D16 3865 B14
- 15483 D16 3866 B14
- 15484 D16 3867 B14
- 15485 D16 3868 B14
- 15486 D16 3869 B14
- 15487 D16 3870 B14
- 15488 D16 3871 B14
- 15489 D16 3872 B14
- 15490 D16 3873 B14
- 15491 D16 3874 B14
- 15492 D16 3875 B14
- 15493 D16 3876 B14
- 15494 D16 3877 B14
- 15495 D16 3878 B14
- 15496 D16 3879 B14
- 15497 D16 3880 B14
- 15498 D16 3881 B14
- 15499 D16 3882 B14
- 15500 D16 3883 B14

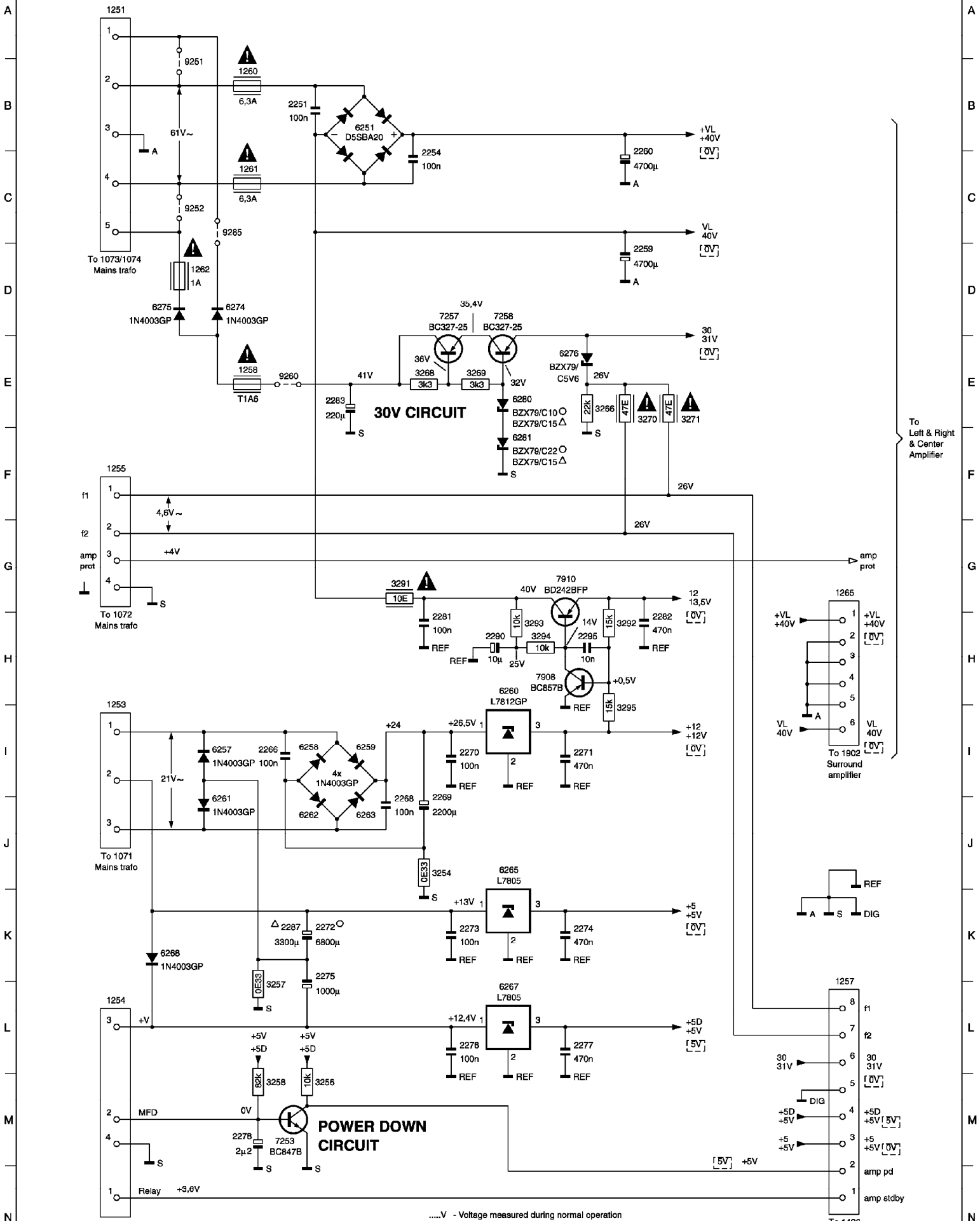
SOURCE SELECTOR PART FR965 - FR975 3104 217 28420 / 6640 / 0840

LEU0177 0002

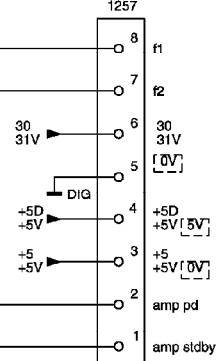
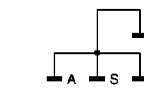
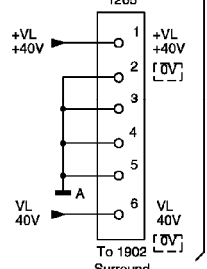


1251	A1	1260	B3	2259	D7	2271	I6	2277	L8	2290	H5	3266	E7	3292	H7	6258	I3	6265	J6	6280	E6	7910	G6
1253	I1	1261	C3	2260	C7	2272	K4	2278	M3	2295	H6	3268	E5	3293	H6	6259	I4	6267	L6	6281	F8	9251	B2
1254	L1	1262	D2	2266	I3	2273	K5	2281	H5	3254	J5	3269	E5	3294	H6	6260	H6	6268	K2	7253	M3	9252	C2
1255	F1	1265	G9	2268	J4	2274	K6	2282	H7	3256	M4	3270	E7	3295	I7	6261	J3	6274	D3	7257	D5	9260	E3
1257	L9	2251	B3	2269	J5	2275	K4	2283	E4	3257	L3	3271	E8	6251	B4	6262	J3	6275	D2	7258	D6	9285	C3
1258	E3	2254	C5	2270	I5	2276	L5	2287	K3	3258	M3	3291	G4	6257	I3	6263	J4	6276	E6	7908	H6		

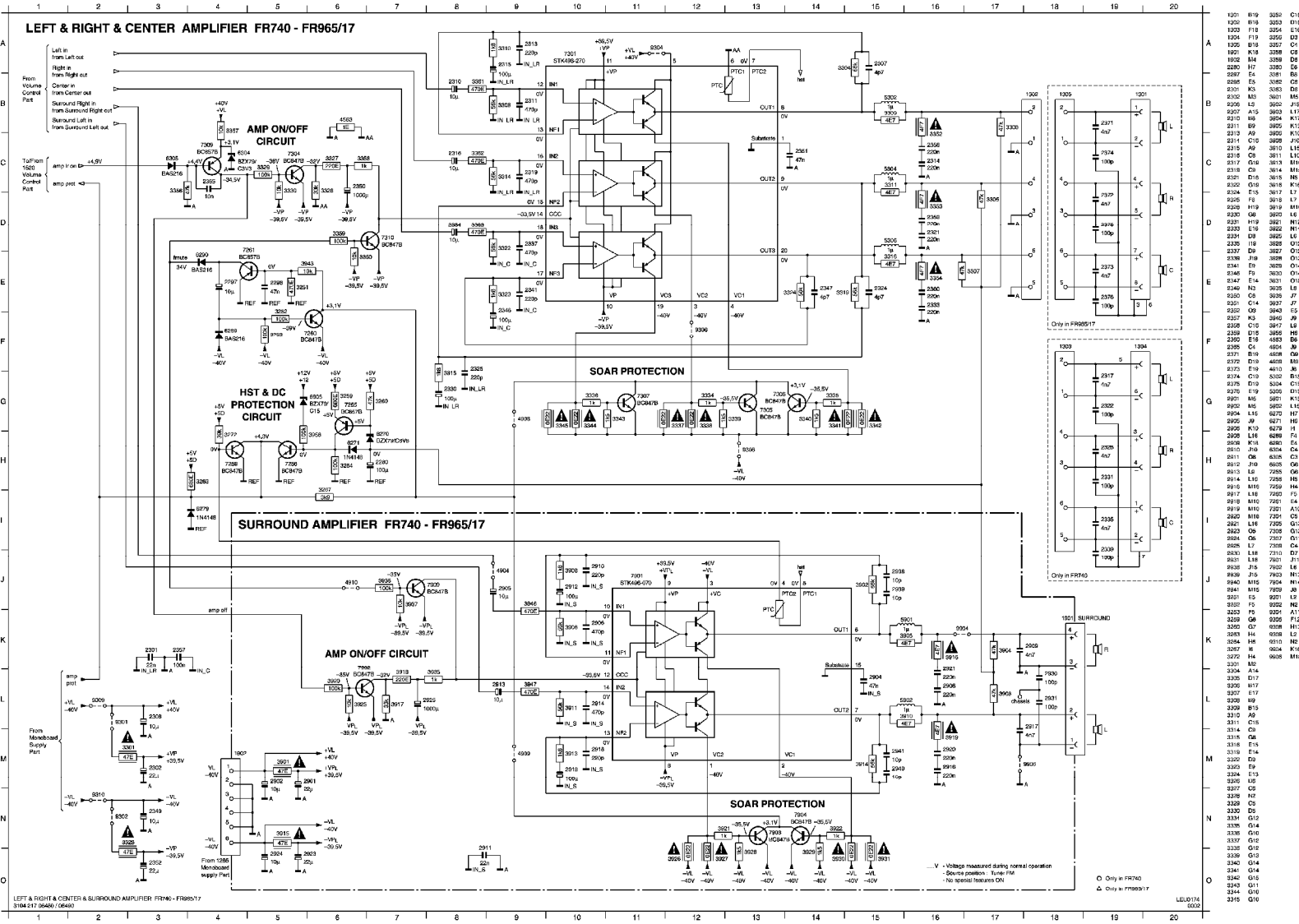
### MONOBOARD SUPPLY FR740 - FR965/17



To Left & Right & Center Amplifier



.....V - Voltage measured during normal operation  
 - Source position : Tuner FM  
 - No special features ON  
 Δ Only FR740  
 ○ Only FR965/17

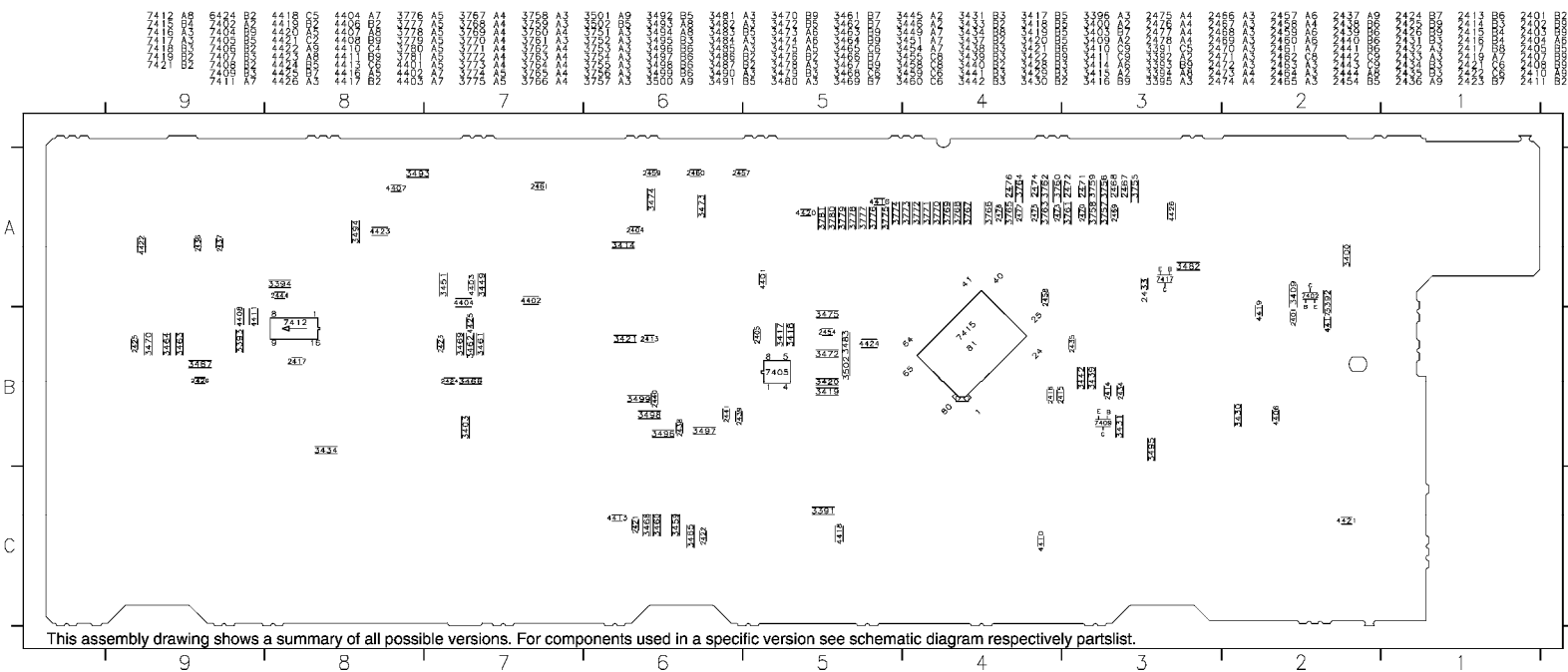
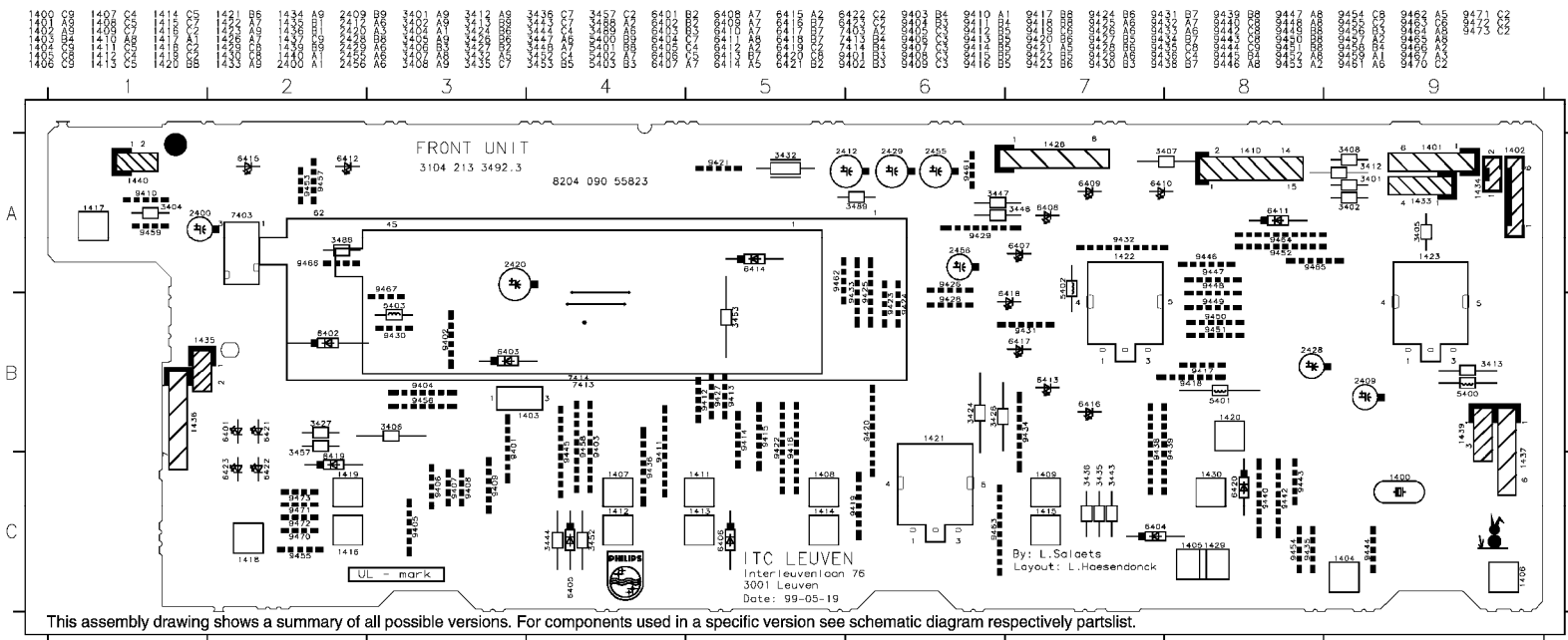


1901	B19	3550	C18
1902	B19	3553	D18
1903	F18	3554	E18
1904	F19	3555	D19
1905	B18	3557	C17
1906	K18	3558	C8
1907	M4	3559	D8
1908	H7	3560	E8
1909	E5	3561	E8
1910	E5	3562	C8
1911	K5	3563	M5
1912	M5	3564	M5
1913	L3	3565	J15
1914	A5	3566	L17
1915	B6	3567	K17
1916	B9	3568	K17
1917	A9	3569	K10
1918	C10	3570	K10
1919	A9	3571	L15
1920	C8	3572	L10
1921	D18	3573	M10
1922	C8	3574	M10
1923	D18	3575	M8
1924	D18	3576	M8
1925	F8	3577	K18
1926	F8	3578	K18
1927	F8	3579	L7
1928	F8	3580	M16
1929	G6	3581	L6
1930	G6	3582	L6
1931	H19	3583	M12
1932	H19	3584	M12
1933	D9	3585	L6
1934	D9	3586	L6
1935	D9	3587	D12
1936	H9	3588	D12
1937	F9	3589	D12
1938	F9	3590	D12
1939	F9	3591	D12
1940	F9	3592	D12
1941	F9	3593	D12
1942	F9	3594	D12
1943	F9	3595	D12
1944	F9	3596	D12
1945	F9	3597	D12
1946	F9	3598	D12
1947	F9	3599	D12
1948	F9	3600	D12
1949	F9	3601	D12
1950	F9	3602	D12
1951	F9	3603	D12
1952	F9	3604	D12
1953	F9	3605	D12
1954	F9	3606	D12
1955	F9	3607	D12
1956	F9	3608	D12
1957	F9	3609	D12
1958	F9	3610	D12
1959	F9	3611	D12
1960	F9	3612	D12
1961	F9	3613	D12
1962	F9	3614	D12
1963	F9	3615	D12
1964	F9	3616	D12
1965	F9	3617	D12
1966	F9	3618	D12
1967	F9	3619	D12
1968	F9	3620	D12
1969	F9	3621	D12
1970	F9	3622	D12
1971	F9	3623	D12
1972	F9	3624	D12
1973	F9	3625	D12
1974	F9	3626	D12
1975	F9	3627	D12
1976	F9	3628	D12
1977	F9	3629	D12
1978	F9	3630	D12
1979	F9	3631	D12
1980	F9	3632	D12
1981	F9	3633	D12
1982	F9	3634	D12
1983	F9	3635	D12
1984	F9	3636	D12
1985	F9	3637	D12
1986	F9	3638	D12
1987	F9	3639	D12
1988	F9	3640	D12
1989	F9	3641	D12
1990	F9	3642	D12
1991	F9	3643	D12
1992	F9	3644	D12
1993	F9	3645	D12
1994	F9	3646	D12
1995	F9	3647	D12
1996	F9	3648	D12
1997	F9	3649	D12
1998	F9	3650	D12
1999	F9	3651	D12
2000	F9	3652	D12

LEFT & RIGHT & CENTER & SURROUND AMPLIFIER FR740 - FR965/17  
STK4648-D70

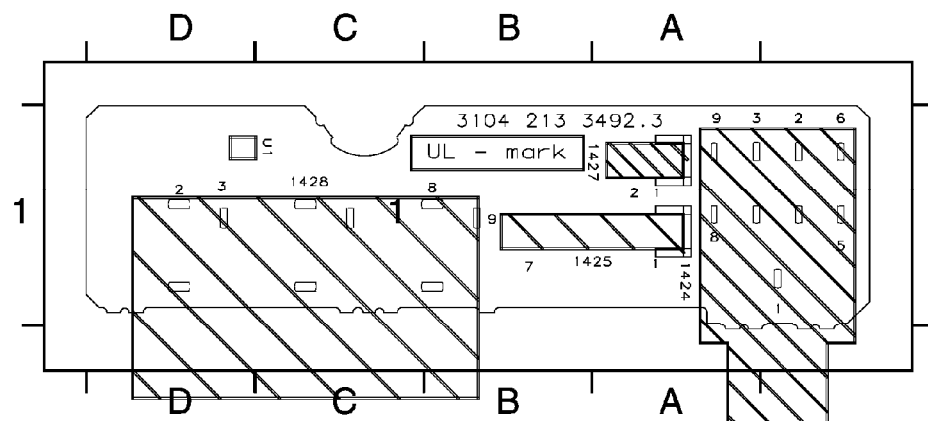
LEU0174  
0020

FRONT BOARD - COMPONENT & COPPER SIDE VIEW



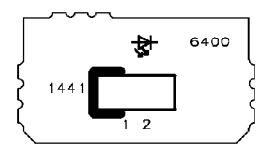


### HEADPHONE BOARD - COMPONENT VIEW

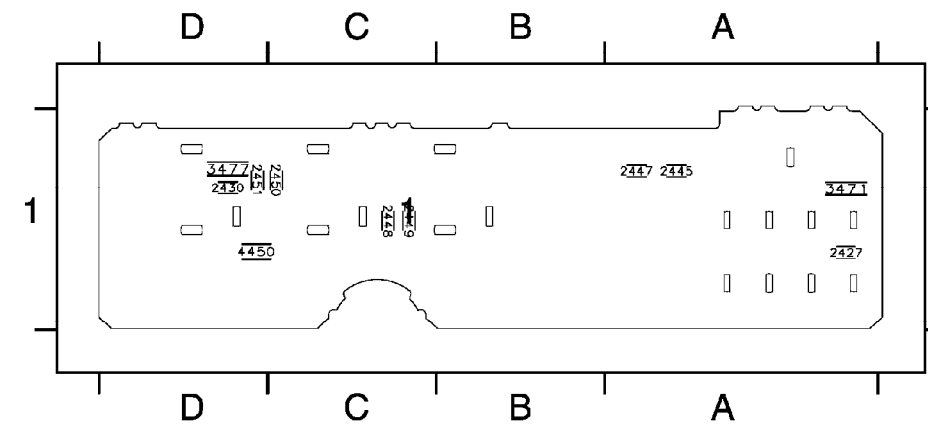


- U1 C1
- 1424 A1
- 1425 A1
- 1427 A1
- 1428 C1

### LED BOARD - COMPONENT VIEW



### HEADPHONE BOARD - COPPER SIDE VIEW

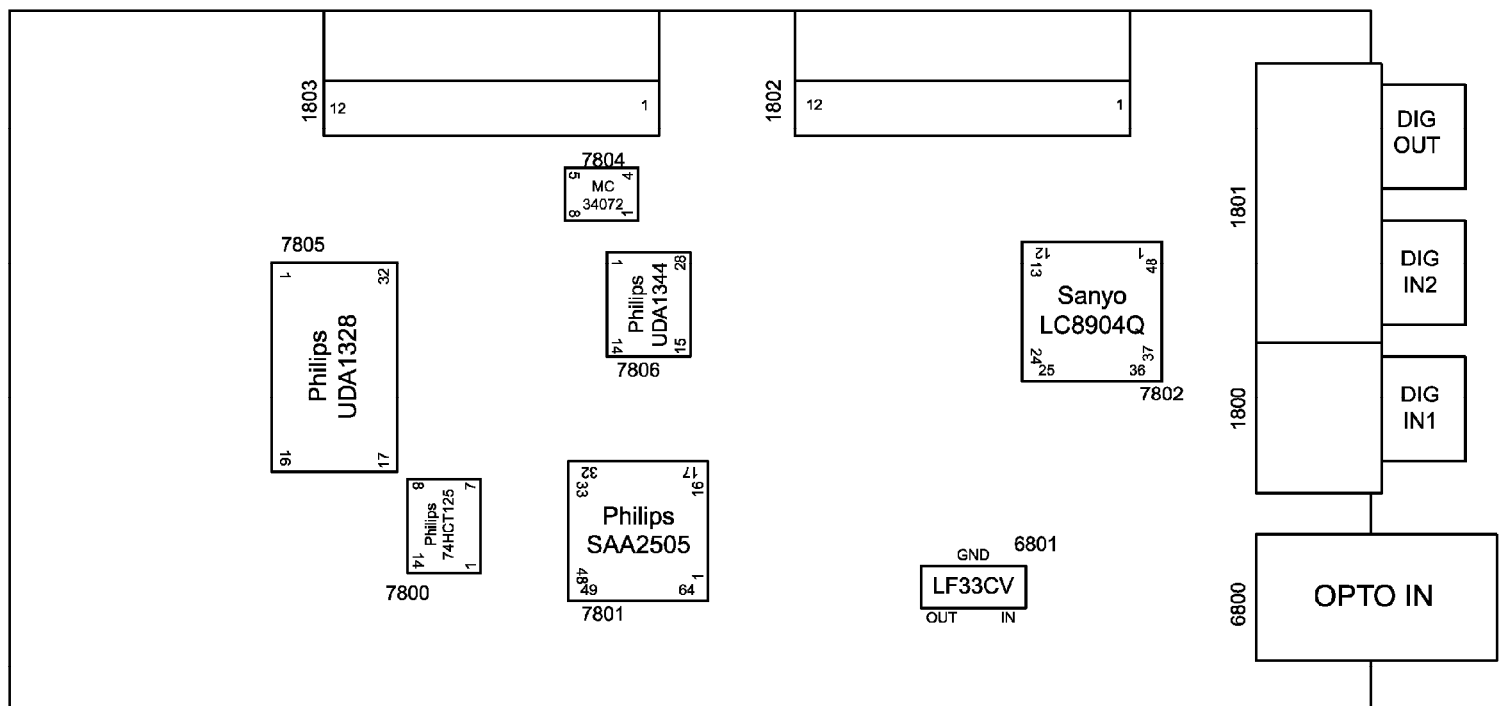


- 2427 A1
- 2430 D1
- 2445 A1
- 2447 A1
- 2448 C1
- 2449 C1
- 2450 C1
- 2451 D1
- 3471 A1
- 3477 D1
- 4450 D1

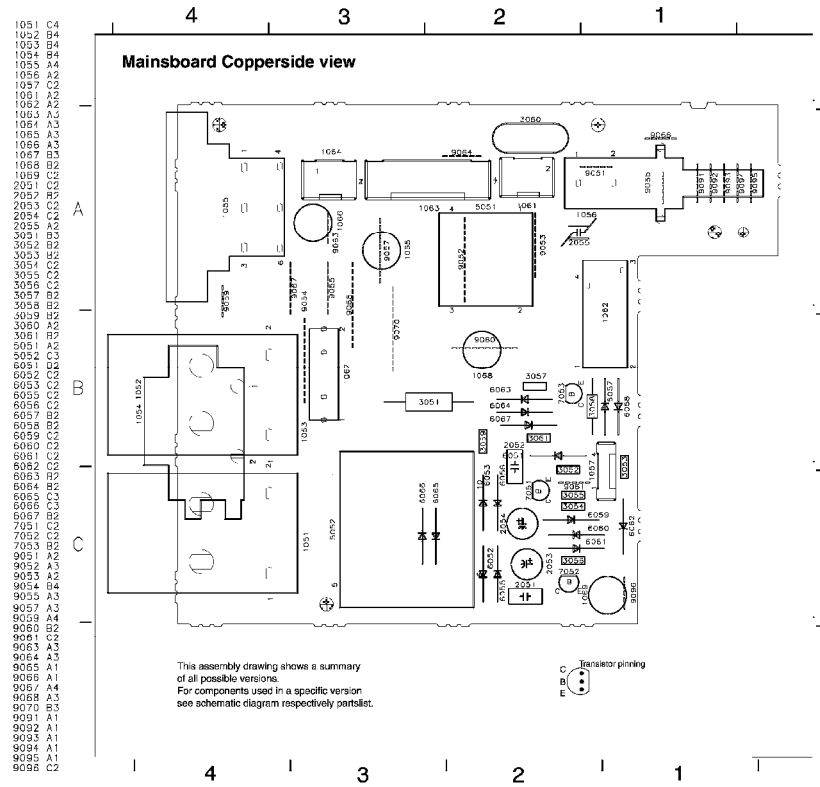
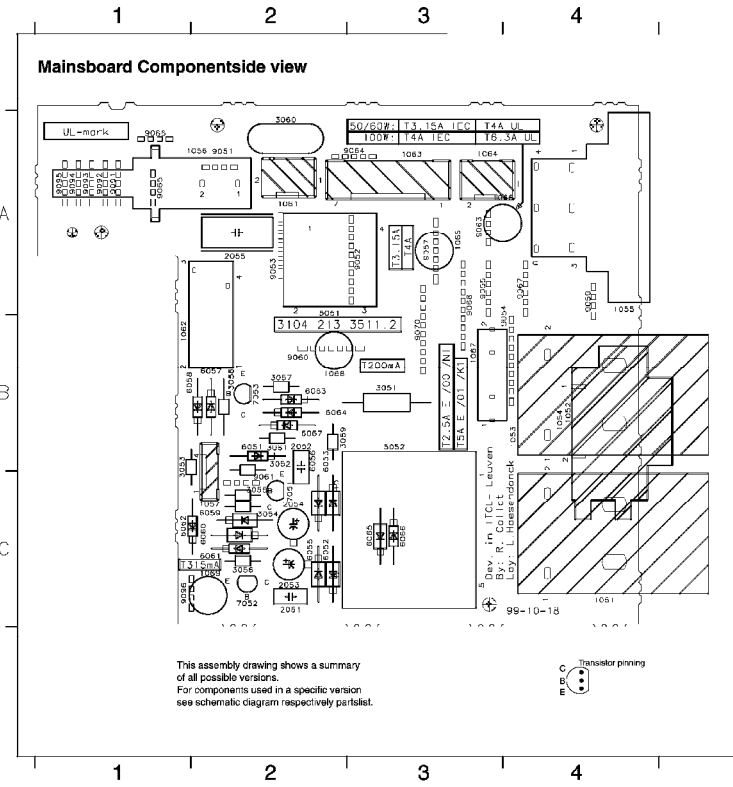
**ELECTRICAL PARTSLIST - MDM MODULE**

1003	3104 217 05750	MDM Module
1800	4822 267 31729	Connector
1801	4822 267 31448	Connector
6800	4822 218 11487	GP1F32R
6801	4822 209 16978	LF33CV

Note: Only the parts mentioned in this list are normal service parts.



**MAINS BOARD - COMPONENTSIDE VIEW & COPPERSIDE VIEW**



## Copperside view

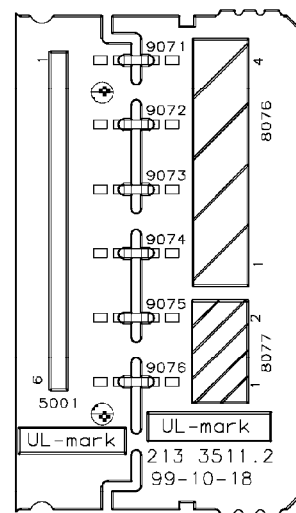
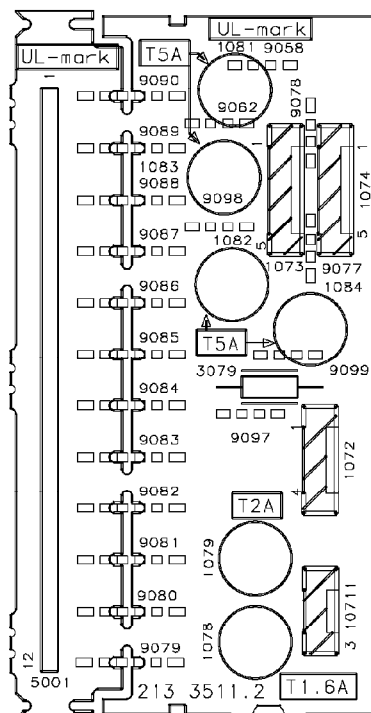
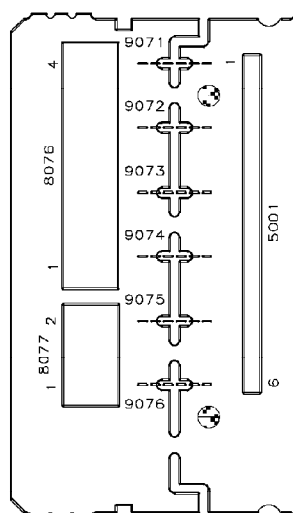
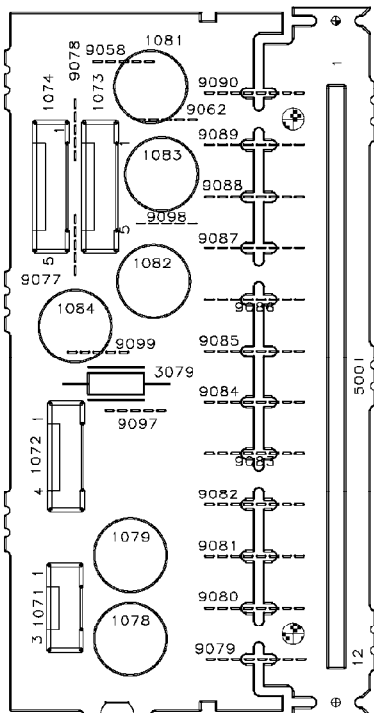
Interconnection Board  
Transformer secondary

Interconnection Board  
Transformer primary

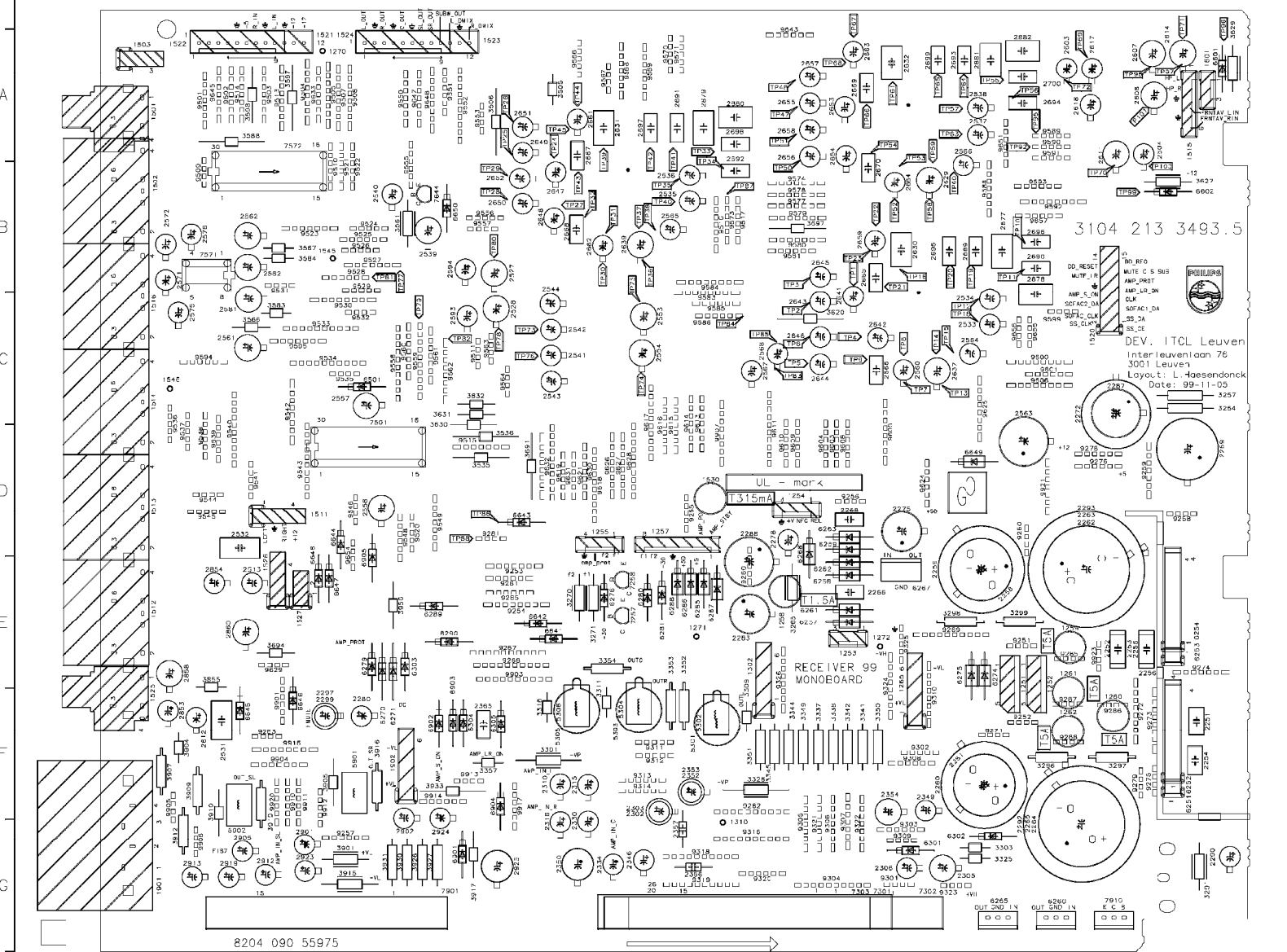
## Componentside view

Interconnection Board  
Transformer secondary

Interconnection Board  
Transformer primary



1 2 3 4 5 6 7 8 9



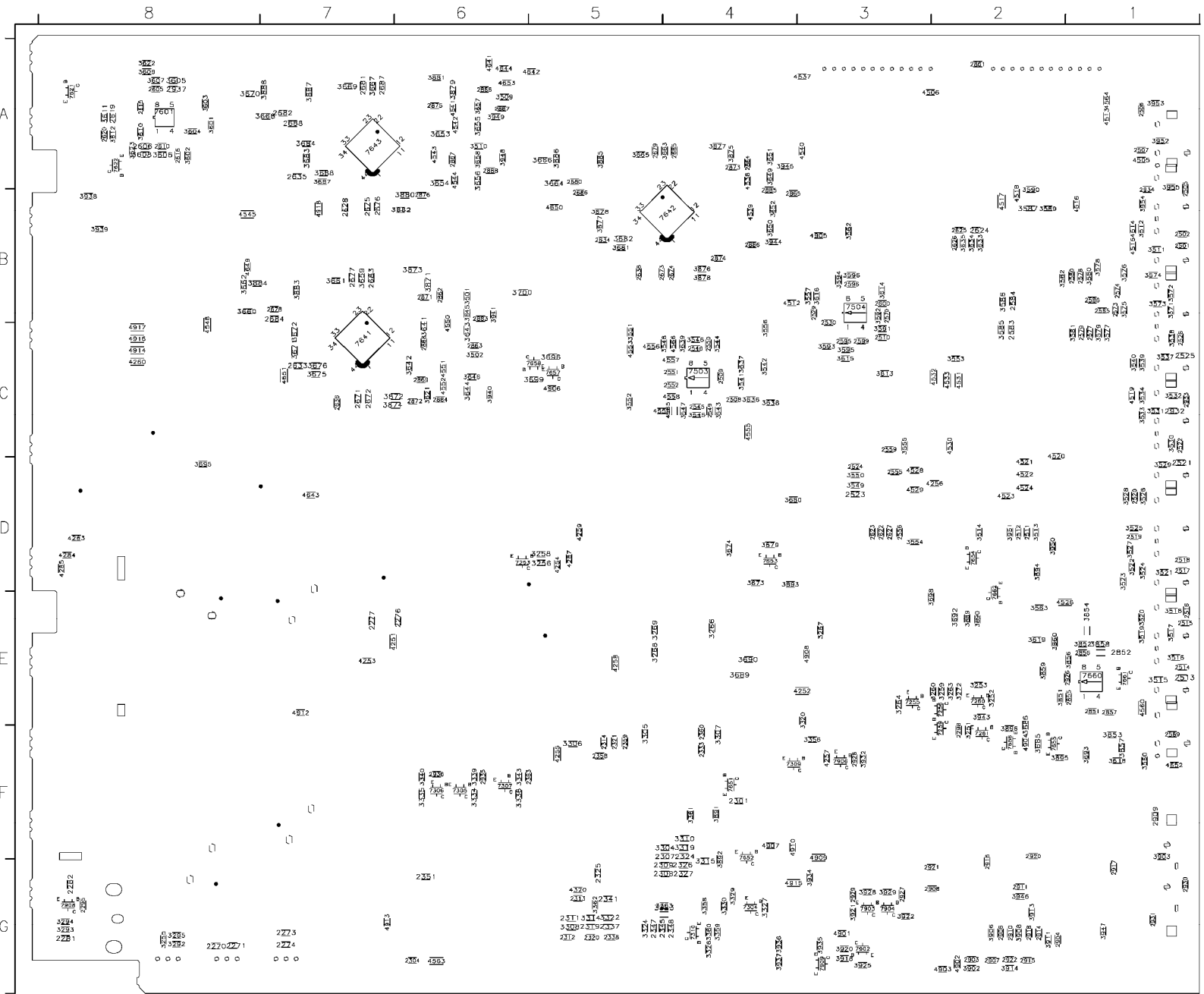
8204 090 55975

3104 213 3493.5

DEV. ITCL Leuven  
 Interleuvenaan 76  
 3001 Leuven  
 Layout: L-geesdonck  
 Date: 99-11-05

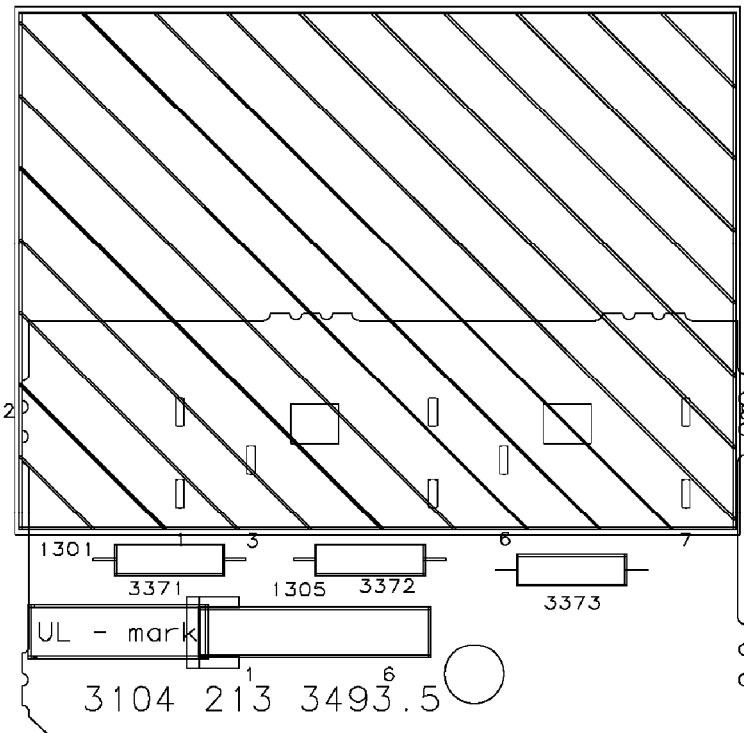
RECEIVER MONOBOARD

UL - mor

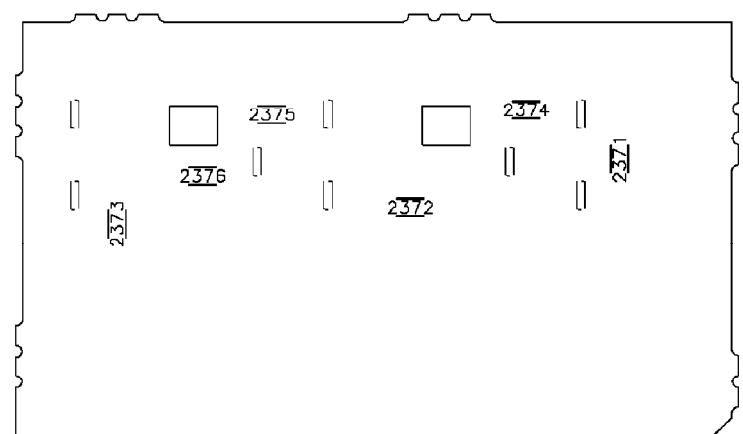




### CLICK FIT SPEAKER BOARD COMPONENT VIEW



### CLICK FIT SPEAKER BOARD COPPER SIDE VIEW





Service and Quality  
Service Publications Dept.  
One Philips Drive  
P.O. Box 14810  
Knoxville, TN 37914

**Parts List**

**REFER TO SAFETY GUIDELINES**

**SAFETY NOTICE: ANY PERSON ATTEMPTING TO SERVICE THIS CHASSIS MUST FAMILIARIZE HIMSELF WITH THE CHASSIS AND BE AWARE OF THE NECESSARY SAFETY PRECAUTIONS TO BE USED WHEN SERVICING ELECTRONIC EQUIPMENT CONTAINING HIGH VOLTAGES.**

**CAUTION: USE A SEPARATE ISOLATION TRANSFORMER FOR THIS UNIT WHEN SERVICING**

## FRONT DISPLAY BOARD PARTS LIST

FRONT DISPLAY BOARD PARTS LIST			FRONT DISPLAY BOARD PARTS LIST			FRONT DISPLAY BOARD PARTS LIST		
MISCELLANEOUS								
1403	Crystal, 8MHz. . . . .	4822 242	72066	3401	10K, 1%, 0.6W. . . . .	4822 050	21003	
1404	SWITCH, -PUSH BUTTON. . . . .	4822 276	13114	3402	10K, 1%, 0.6W. . . . .	4822 050	21003	
1405	SWITCH, -PUSH BUTTON. . . . .	4822 276	13114	3403	6K8, 1%, 0.1W. . . . .	4822 117	11507	
1406	SWITCH, -PUSH BUTTON. . . . .	4822 276	13114	3404	330 Ohm, 5%, 0.5W. . . . .	4822 116	52219	
1407	SWITCH, -PUSH BUTTON. . . . .	4822 276	13114	3405	22K, 5%, 0.5W. . . . .	4822 116	52257	
1408	SWITCH, -PUSH BUTTON. . . . .	4822 276	13114	3406	10K, 1%, 0.6W. . . . .	4822 050	21003	
1409	SWITCH, -PUSH BUTTON. . . . .	4822 276	13114	3407	10K, 1%, 0.6W. . . . .	4822 050	21003	
1410	Connector, 15FE-BT-VK-N. . . . .	4822 265	10981	3408	10K, 1%, 0.6W. . . . .	4822 050	21003	
1411	SWITCH, -PUSH BUTTON. . . . .	4822 276	13114	3409	1K, 2%, 0.25W. . . . .	4822 051	10102	
1412	SWITCH, -PUSH BUTTON. . . . .	4822 276	13114	3414	1K, 2%, 0.25W. . . . .	4822 051	10102	
1413	SWITCH, -PUSH BUTTON. . . . .	4822 276	13114	3415	0 Ohm, Jumper, (0805). . . . .	4822 051	20008	
1414	SWITCH, -PUSH BUTTON. . . . .	4822 276	13114	3417	10K, 1%, 0.1W. . . . .	4822 117	10833	
1415	SWITCH, -PUSH BUTTON. . . . .	4822 276	13114	3418	10K, 1%, 0.1W. . . . .	4822 117	10833	
1416	SWITCH, -PUSH BUTTON. . . . .	4822 276	13114	3419	10K, 1%, 0.1W. . . . .	4822 117	10833	
1417	SWITCH, -PUSH BUTTON. . . . .	4822 276	13114	3420	10K, 1%, 0.1W. . . . .	4822 117	10833	
1418	SWITCH, -PUSH BUTTON. . . . .	4822 276	13114	3421	10K, 1%, 0.1W. . . . .	4822 117	10833	
1419	SWITCH, -PUSH BUTTON. . . . .	4822 276	13114	3424	1K, 1%, 0.4W. . . . .	4822 050	11002	
1421	SWITCH, ROTARY . . . . .	4822 273	10372	3426	1K, 1%, 0.4W. . . . .	4822 050	11002	
1422	SWITCH, ROTARY . . . . .	4822 273	10372	3427	150 Ohm, 5%, 0.5W. . . . .	4822 116	83868	
1423	ROTARY ENCODER 24P . . . . .	4822 273	10365	3428	27K, 5%, 0.1W. . . . .	4822 051	20273	
1424	1P YKB21-5209. . . . .	4822 265	11584	3429	22K, 5%, 0.1W. . . . .	4822 051	20223	
	CAPACITORS			3430	22K, 5%, 0.1W. . . . .	4822 051	20223	
2400	100uF., 20%, 10V . . . . .	4822 124	41584	3431	10K, 1%, 0.1W. . . . .	4822 117	10833	
2404	1nF., 10%, X7R, 63V. . . . .	5322 122	31647	S 3432	4.7 Ohm, 5%, 0.33W . . . . .	4822 052	10478	
2405	22nF., 10%, X7R, 63V . . . . .	5322 122	32654	3433	10K, 1%, 0.1W. . . . .	4822 117	10833	
2411	220pF., 5%, NP0, 63V . . . . .	4822 122	33575	3434	22K, 5%, 0.1W. . . . .	4822 051	20223	
2412	47uF., 20%, 50V. . . . .	4822 124	41751	3435	22K, 5%, 0.5W. . . . .	4822 116	52257	
2413	22nF., 10%, X7R, 63V . . . . .	5322 122	32654	3436	22K, 5%, 0.5W. . . . .	4822 116	52257	
2414	22nF., 10%, X7R, 63V . . . . .	5322 122	32654	3437	100K, 1%, 0.1W. . . . .	4822 117	10837	
2415	22pF., 5%, 50V . . . . .	5322 122	32658	3438	220K 1%, 0.1W, RC12H . . . . .	4822 117	13579	
2416	22pF., 5%, 50V . . . . .	5322 122	32658	3439	10K, 1%, 0.1W. . . . .	4822 117	10833	
2417	22nF., 10%, X7R, 63V . . . . .	5322 122	32654	3440	47 Ohm, 5%, 0.1W . . . . .	4822 051	20479	
2419	22nF., 10%, X7R, 63V . . . . .	5322 122	32654	3441	82K, 1%, 0.1W. . . . .	4822 117	11149	
2420	100uF., 20%, 10V . . . . .	4822 124	23432	3442	100K, 1%, 0.1W . . . . .	4822 117	10837	
2421	22nF., 10%, X7R, 63V . . . . .	5322 122	32654	3443	330 Ohm, 5%, 0.5W. . . . .	4822 116	52219	
2422	22nF., 10%, X7R, 63V . . . . .	5322 122	32654	3444	330 Ohm, 5%, 0.5W. . . . .	4822 116	52219	
2423	22nF., 10%, X7R, 63V . . . . .	5322 122	32654	3445	330 Ohm, 1%, RC12H, 1.25W. . . . .	4822 117	13577	
2424	22nF., 10%, X7R, 63V . . . . .	5322 122	32654	3446	330 Ohm, 1%, RC12H, 1.25W. . . . .	4822 117	13577	
2425	22nF., 10%, X7R, 63V . . . . .	5322 122	32654	3447	330 Ohm, 5%, 0.5W. . . . .	4822 116	52219	
2426	22nF., 10%, X7R, 63V . . . . .	5322 122	32654	3448	330 Ohm, 5%, 0.5W. . . . .	4822 116	52219	
2427	1nF., 10%, X7R, 63V. . . . .	5322 122	31647	3449	100K, 1%, 0.1W . . . . .	4822 117	10837	
2428	4.7uF., 20%, 100V. . . . .	4822 124	40769	3451	10K, 1%, 0.1W. . . . .	4822 117	10833	
2429	47uF., 20%, 50V. . . . .	4822 124	41751	3452	330 Ohm, 5%, 0.5W. . . . .	4822 116	52219	
2431	100pF., 5%, NP0, 50V . . . . .	5322 122	32531	3453	330 Ohm, 5%, 0.5W. . . . .	4822 116	52219	
2432	100pF., 5%, NP0, 50V . . . . .	5322 122	32531	3455	22K, 5%, 0.1W. . . . .	4822 051	20223	
2433	100pF., 5%, NP0, 50V . . . . .	5322 122	32531	3457	330 Ohm, 5%, 0.5W. . . . .	4822 116	52219	
2434	220nF., +80/-20%, 25V. . . . .	4822 126	14076	3459	10K, 1%, 0.1W. . . . .	4822 117	10833	
2435	220pF., 5%, NP0, 63V . . . . .	4822 122	33575	3460	10K, 1%, 0.1W. . . . .	4822 117	10833	
2436	220pF., 5%, NP0, 63V . . . . .	4822 122	33575	3461	10K, 1%, 0.1W. . . . .	4822 117	10833	
2437	220pF., 5%, NP0, 63V . . . . .	4822 122	33575	3462	10K, 1%, 0.1W. . . . .	4822 117	10833	
2438	220pF., 5%, NP0, 63V . . . . .	4822 122	33575	3463	10K, 1%, 0.1W. . . . .	4822 117	10833	
2439	220pF., 5%, NP0, 63V . . . . .	4822 122	33575	3464	10K, 1%, 0.1W. . . . .	4822 117	10833	
2440	220pF., 5%, NP0, 63V . . . . .	4822 122	33575	3465	220 Ohm, 1%, 0.1W. . . . .	4822 117	11503	
2441	220pF., 5%, NP0, 63V . . . . .	4822 122	33575	3466	220 Ohm, 1%, 0.1W. . . . .	4822 117	11503	
2444	22nF., 10%, X7R, 63V . . . . .	5322 122	32654	3467	220 Ohm, 1%, 0.1W. . . . .	4822 117	11503	
2445	4.7nF., 10%, X7R, 63V. . . . .	5322 126	10223	3468	220 Ohm, 1%, 0.1W. . . . .	4822 117	11503	
2447	4.7nF., 10%, X7R, 63V. . . . .	5322 126	10223	3469	220 Ohm, 1%, 0.1W. . . . .	4822 117	11503	
2454	22nF., 10%, X7R, 63V . . . . .	5322 122	32654	3470	220 Ohm, 1%, 0.1W. . . . .	4822 117	11503	
2455	47uF., 20%, 50V. . . . .	4822 124	41751	3471	1K, 2%, 0.25W. . . . .	4822 051	10102	
2456	47uF., 20%, 25V. . . . .	4822 124	40433	3472	1K, 2%, 0.25W. . . . .	4822 051	10102	
2457	22nF., 10%, X7R, 63V . . . . .	5322 122	32654	3473	0 Ohm, Jumper, (0805). . . . .	4822 051	20008	
2458	22nF., 10%, X7R, 63V . . . . .	5322 122	32654	3474	0 Ohm, Jumper, (0805). . . . .	4822 051	20008	
2459	22nF., 10%, X7R, 63V . . . . .	5322 122	32654	3475	100K, 1%, 0.1W . . . . .	4822 117	10837	
2460	22nF., 10%, X7R, 63V . . . . .	5322 122	32654	3478	100K, 1%, 0.1W . . . . .	4822 117	10837	
2461	22nF., 10%, X7R, 63V . . . . .	5322 122	32654	3479	1K, 2%, 0.25W. . . . .	4822 051	10102	
2462	1nF., 10%, X7R, 63V. . . . .	5322 122	31647	3480	100K, 1%, 0.1W . . . . .	4822 117	10837	
2463	100pF., 5%, NP0, 50V . . . . .	5322 122	32531	3481	1K, 2%, 0.25W. . . . .	4822 051	10102	
2464	100pF., 5%, NP0, 50V . . . . .	5322 122	32531	3482	100K, 1%, 0.1W . . . . .	4822 117	10837	
2465	100pF., 5%, NP0, 50V . . . . .	5322 122	32531	3483	100K, 1%, 0.1W . . . . .	4822 117	10837	
2466	100pF., 5%, NP0, 50V . . . . .	5322 122	32531	3484	1K, 2%, 0.25W. . . . .	4822 051	10102	
2467	100pF., 5%, NP0, 50V . . . . .	5322 122	32531	3485	0 Ohm, Jumper, (0805). . . . .	4822 051	20008	
2468	100pF., 5%, NP0, 50V . . . . .	5322 122	32531	3491	100K, 1%, 0.1W . . . . .	4822 117	10837	
2469	100pF., 5%, NP0, 50V . . . . .	5322 122	32531	3493	470 Ohm, 5%, 0.1W. . . . .	4822 051	20471	
2470	100pF., 5%, NP0, 50V . . . . .	5322 122	32531	3494	470 Ohm, 5%, 0.1W. . . . .	4822 051	20471	
2471	100pF., 5%, NP0, 50V . . . . .	5322 122	32531	3495	470 Ohm, 5%, 0.1W. . . . .	4822 051	20471	
2472	100pF., 5%, NP0, 50V . . . . .	5322 122	32531	3496	470 Ohm, 5%, 0.1W. . . . .	4822 051	20471	
2473	100pF., 5%, NP0, 50V . . . . .	5322 122	32531	3497	470 Ohm, 5%, 0.1W. . . . .	4822 051	20471	
2474	100pF., 5%, NP0, 50V . . . . .	5322 122	32531	3498	470 Ohm, 5%, 0.1W. . . . .	4822 051	20471	
2475	100pF., 5%, NP0, 50V . . . . .	5322 122	32531	3499	470 Ohm, 5%, 0.1W. . . . .	4822 051	20471	
2476	100pF., 5%, NP0, 50V . . . . .	5322 122	32531	3500	470 Ohm, 5%, 0.1W. . . . .	4822 051	20471	
2477	100pF., 5%, NP0, 50V . . . . .	5322 122	32531	3501	470 Ohm, 5%, 0.1W. . . . .	4822 051	20471	
2478	100pF., 5%, NP0, 50V . . . . .	5322 122	32531	3502	1K, 2%, 0.25W. . . . .	4822 051	10102	
	RESISTORS			3751	33K, 5%, 0.1W. . . . .	4822 051	20333	
3391	1K, 2%, 0.25W. . . . .	4822 051	10102	3752	33K, 5%, 0.1W. . . . .	4822 051	20333	
3392	22K, 5%, 0.1W. . . . .	4822 051	20223	3753	33K, 5%, 0.1W. . . . .	4822 051	20333	
3393	22K, 5%, 0.1W. . . . .	4822 051	20223	3754	33K, 5%, 0.1W. . . . .	4822 051	20333	
3394	22K, 5%, 0.1W. . . . .	4822 051	20223	3755	33K, 5%, 0.1W. . . . .	4822 051	20333	
3395	0 Ohm, Jumper, (0805). . . . .	4822 051	20008	3756	33K, 5%, 0.1W. . . . .	4822 051	20333	
3400	47R, 5%, 0.1W. . . . .	4822 051	20479	3757	33K, 5%, 0.1W. . . . .	4822 051	20333	
				3758	33K, 5%, 0.1W. . . . .	4822 051	20333	
				3759	33K, 5%, 0.1W. . . . .	4822 051	20333	
				3760	33K, 5%, 0.1W. . . . .	4822 051	20333	

S = Safety Part Be sure to use exact replacement part.

3761	33K, 5%, 0.1W. . . . .	4822 051 20333	2104	100pF., 10%, 50V . . . . .	4822 122 33195
3762	33K, 5%, 0.1W. . . . .	4822 051 20333	2106	3.0-11pF., N450, 100V. . . . .	4822 125 60101
3763	33K, 5%, 0.1W. . . . .	4822 051 20333	2107	1uF., 10%, 63V . . . . .	4822 121 51319
3764	33K, 5%, 0.1W. . . . .	4822 051 20333	2120	22pF., 5%, 50V . . . . .	5322 122 32658
3765	33K, 5%, 0.1W. . . . .	4822 051 20333	2125	560pF., 5%, 400V . . . . .	4822 121 51381
3766	33K, 5%, 0.1W. . . . .	4822 051 20333	2126	330pF., 5%, 63V. . . . .	5322 122 31863
3767	33K, 5%, 0.1W. . . . .	4822 051 20333	2127	220nF., 80-20%, 50V. . . . .	4822 126 13473
3768	33K, 5%, 0.1W. . . . .	4822 051 20333	2128	10uF., 20%, 50V. . . . .	4822 124 41579
3769	33K, 5%, 0.1W. . . . .	4822 051 20333	2129	100uF., 20%, 10V . . . . .	4822 124 41584
3770	33K, 5%, 0.1W. . . . .	4822 051 20333	2130	22nF., +80-20%, Y5V 25V. . . . .	4822 126 11585
3771	33K, 5%, 0.1W. . . . .	4822 051 20333	2131	470nF., 80/20%, 16V. . . . .	4822 126 13482
3772	33K, 5%, 0.1W. . . . .	4822 051 20333	2132	470nF., 80/20%, 16V. . . . .	4822 126 13482
3773	33K, 5%, 0.1W. . . . .	4822 051 20333	2133	1uF., 20%, 63V . . . . .	4822 124 40242
3774	33K, 5%, 0.1W. . . . .	4822 051 20333	2134	15nF., 5%, X7R, 63V, only in /01 . . . . .	4822 126 13188
3775	33K, 5%, 0.1W. . . . .	4822 051 20333	2134	22nF., 10%, X7R, 63V, only in /17. . . . .	5322 122 32654
3776	33K, 5%, 0.1W. . . . .	4822 051 20333	2135	0.22uF., 20%, 63V. . . . .	4822 124 40746
3777	33K, 5%, 0.1W. . . . .	4822 051 20333	2136	15nF., 5%, X7R, 63V, only in /01 . . . . .	4822 126 13188
3778	33K, 5%, 0.1W. . . . .	4822 051 20333	2136	22nF., 10%, X7R, 63V, only in /17. . . . .	5322 122 32654
3779	33K, 5%, 0.1W. . . . .	4822 051 20333	2137	0.22uF., 20%, 63V. . . . .	4822 124 40746
3780	33K, 5%, 0.1W. . . . .	4822 051 20333	2138	2.2uF., 20%, 50V . . . . .	4822 124 41576
3781	33K, 5%, 0.1W. . . . .	4822 051 20333	2139	15pF., 5%, 50V . . . . .	4822 126 14236
4401	0 Ohm, Jumper, (0805). . . . .	4822 051 20008	2141	100nF., 20%, Y5V 25V . . . . .	4822 126 10002
4402	0 Ohm, Jumper, (0805). . . . .	4822 051 20008	2142	100nF., 20%, Y5V 25V . . . . .	4822 126 10002
4403	0 Ohm, Jumper, (0805). . . . .	4822 051 20008	2143	220nF., 80-20%, 50V. . . . .	4822 126 13473
4404	0 Ohm, Jumper, (0805). . . . .	4822 051 20008	2144	1uF., 20%, 63V . . . . .	4822 124 40242
4406	0 Ohm, Jumper, (0805). . . . .	4822 051 20008	2145	220pF., 5%, NP0, 63V . . . . .	4822 122 33575
4407	0 Ohm, Jumper, (0805). . . . .	4822 051 20008	2146	220pF., 5%, NP0, 63V . . . . .	4822 122 33575
4408	0 Ohm, Jumper, (0805). . . . .	4822 051 20008	2147	220pF., 5%, NP0, 63V . . . . .	4822 122 33575
4410	0 Ohm, Jumper, (0805). . . . .	4822 051 20008	2148	22nF., +80-20%, Y5V 25V. . . . .	4822 126 11585
4411	0 Ohm, Jumper, (0805). . . . .	4822 051 20008	2149	22nF., 10%, X7R, 63V . . . . .	5322 122 32654
4413	0 Ohm, Jumper, (0805). . . . .	4822 051 20008	2150	100nF., 20%, Y5V 63V . . . . .	4822 122 31947
4416	0 Ohm, Jumper, (0805). . . . .	4822 051 20008	2152	33nF., 5%, 50V . . . . .	4822 126 12105
4417	0 Ohm, Jumper, (0805). . . . .	4822 051 20008	2153	15pF., 2%, NP0, 50V 1206 . . . . .	4822 122 32504
4418	0 Ohm, Jumper, (0805). . . . .	4822 051 20008	2155	3.0-11pF., N450 100V . . . . .	4822 125 60101
4420	0 Ohm, Jumper, (0805). . . . .	4822 051 20008	2159	33pF., 5%, 50V . . . . .	5322 122 32659
4421	0 Ohm, Jumper, (0805). . . . .	4822 051 20008	2160	22nF., 10%, X7R, 63V . . . . .	5322 122 32654
4422	0 Ohm, Jumper, (0805). . . . .	4822 051 20008	2164	470nF., 80/20%, 16V. . . . .	4822 126 13482
4423	0 Ohm, Jumper, (0805). . . . .	4822 051 20008	2165	100nF., 20%, Y5V 25V . . . . .	4822 126 10002
4424	0 Ohm, Jumper, (0805). . . . .	4822 051 20008	2166	1nF., 10%, X7R, 50V. . . . .	5322 122 34123
4425	0 Ohm, Jumper, (0805). . . . .	4822 051 20008	2167	12pF., 2%, NP0, 63V. . . . .	4822 122 32139
4426	0 Ohm, Jumper, (0805). . . . .	4822 051 20008	2168	82pF., 1%, NP0, 63V. . . . .	4822 126 13695
4450	0 Ohm, Jumper, (0805). . . . .	4822 051 20008			
COILS & FILTERS					
5401	Coil, 2.2uH., LAL02TB2R2J. . . . .	4822 157 11477	3101	33K, 5%, 0.1W. . . . .	4822 051 20333
5402	Coil, 2.2uH., LAL02TB2R2J. . . . .	4822 157 11477	3102	100K 5%, 0.1W. . . . .	4822 051 20104
5403	Coil, 2.2uH., LAL02TB2R2J. . . . .	4822 157 11477	3103	18k, 1%, 0.1W. . . . .	4822 117 10965
SEMICONDUCTORS					
6400	Diode, LTL1214A. . . . .	9322 100 14682	3104	180 Ohm, 1%, 0.1W. . . . .	4822 117 11448
6401	Diode, LED, LTL-16KPE-P. . . . .	4822 130 82978	3105	220 Ohm, 5%, 0.5W. . . . .	4822 116 83872
6402	Diode, 1N4148. . . . .	4822 130 30621	3110	47 Ohm, 5%, 0.5W . . . . .	4822 116 52195
6403	Diode, 1N4148. . . . .	4822 130 30621	3120	0 Ohm Jumper (0805). . . . .	4822 051 20008
6404	Diode, 1N4148. . . . .	4822 130 30621	3132	47 Ohm, 5%, 0.5W . . . . .	4822 116 52195
6405	Diode, 1N4148. . . . .	4822 130 30621	3134	22k, 5%, 0.1W. . . . .	4822 051 20223
6406	Diode, 1N4148. . . . .	4822 130 30621	3141	56k, 1%, 0.1W. . . . .	4822 117 11148
6407	Diode, LED, LTL-16KPE-P. . . . .	4822 130 82978	3142	100k, 30%, LIN 0.1W. . . . .	4822 100 11163
6408	Diode, LED, LTL-16KPE-P. . . . .	4822 130 82978	3145	2.2K, 1%, 0.1W . . . . .	4822 117 11449
6409	Diode, LED, LTL-16KPE-P. . . . .	4822 130 82978	3146	22 Ohm, 5%, 0.1W . . . . .	4822 051 20229
6410	Diode, LED, LTL-16KPE-P. . . . .	4822 130 82978	3152	470 Ohm, 5%, 0.5W. . . . .	4822 116 83883
6412	Diode, LED, LTL-16KPE-P. . . . .	4822 130 82978	3153	470 Ohm, 5%, 0.1W. . . . .	4822 051 20471
6413	Diode, LED, LTL-16KPE-P. . . . .	4822 130 82978	3154	150 Ohm, 5%, 0.5W. . . . .	4822 116 83868
6414	Diode, 1N4148. . . . .	4822 130 30621	3155	470 Ohm, 5%, 0.1W. . . . .	4822 051 20471
6415	Diode, LED, LTL-16KPE-P. . . . .	4822 130 82978	3156	100k, 5%, 0.1W only in /01 . . . . .	4822 051 20104
6416	Diode, LED, LTL-16KPE-P. . . . .	4822 130 82978	3158	470 Ohm, 5%, 0.5W. . . . .	4822 116 83883
6417	Diode, LED, LTL-16KPE-P. . . . .	4822 130 82978	3159	470 Ohm, 5%, 0.5W. . . . .	4822 116 83883
6418	Diode, LED, LTL-16KPE-P. . . . .	4822 130 82978	3160	470 Ohm, 5%, 0.5W. . . . .	4822 116 83883
6419	Diode, 1N4148. . . . .	4822 130 30621	3161	470 Ohm, 5%, 0.5W. . . . .	4822 116 83883
6421	Diode, LED, LTL-16KPE-P. . . . .	4822 130 82978	3167	220 Ohm, 1%, 0.1W. . . . .	4822 117 11503
7402	Transistor, PDTA144ET. . . . .	4822 130 11607	3169	150k, 5%, 0.1W . . . . .	4822 051 20154
7403	IC, GP1U28XP . . . . .	4822 130 10165	3170	100k, 5%, 0.5W . . . . .	4822 116 52234
7405	IC, M24C08-MN6 . . . . .	4822 209 17445	3171	330 Ohm, 5%, 0.5W . . . . .	4822 116 52219
7406	Transistor, BC847B . . . . .	4822 130 60511	4101	0 Ohm Jumper (0805). . . . .	4822 051 20008
7407	Transistor, BC847B . . . . .	4822 130 60511	4102	0 Ohm Jumper (0805). . . . .	4822 051 20008
7408	Transistor, BC847B . . . . .	4822 130 60511	4103	0 Ohm Jumper (0805). . . . .	4822 051 20008
7409	Transistor, BC847B . . . . .	4822 130 60511	4104	0 Ohm Jumper (0805). . . . .	4822 051 20008
7411	IC, HEF4094BT. . . . .	5322 209 11306	4105	0 Ohm Jumper (0805). . . . .	4822 051 20008
7412	IC, HEF4094BT. . . . .	5322 209 11306	4106	0 Ohm Jumper (0805). . . . .	4822 051 20008
7413	Display, VFD 16-MT-65GK. . . . .	2722 171 07168	4108	0 Ohm Jumper (0805). . . . .	4822 051 20008
7415	IC, Microprocessor, TMP87CS71F-FR970. . . . .	3103 308 84150	4111	0 Ohm Jumper (0805). . . . .	4822 051 20008
7416	Transistor, BC847B . . . . .	4822 130 60511	4120	0 Ohm Jumper (0805). . . . .	4822 051 20008
7417	Transistor, BC847B . . . . .	4822 130 60511	4150	0 Ohm, 5%, 0.25W . . . . .	4822 051 10008
7418	Transistor, BC847B . . . . .	4822 130 60511	4152	0 Ohm, 5%, 0.25W . . . . .	4822 051 10008
ECO5 TUNER BOARD PARTS LIST					
ECO5 TUNER BOARD PARTS LIST					
MISCELLANEOUS					
1101	Antenna Socket 300 Ohm, only in /17. . . . .	4822 267 31505	5102	MW RF COIL . . . . .	4822 157 71634
1102	Antenna Socket 75 Ohm, only in /01 . . . . .	4822 267 10283	5109	SFE, 10.7MHz . . . . .	4822 242 70665
CAPACITORS					
2101	100pF., 5%, NP0, 50V, only in /01. . . . .	5322 122 32531	5110	SFE, 10.7MHz . . . . .	4822 242 70665
2101	47pF., 1%, NP0, 63V, only in /17 . . . . .	4822 126 13692	5111	AM-IF, Filter 10.7MHz. . . . .	4822 158 60511
2102	10nF., 20%, X7R, 50V . . . . .	4822 122 33177	5112	AM-IF, Filter 10.7MHz. . . . .	4822 157 70302
2103	1nF., 10%, X7R, 50V. . . . .	5322 122 34123	5114	AM-IF, Filter 10.7MHz. . . . .	4822 157 70302
			5119	Discriminator, 10.7MHz . . . . .	4822 157 11443

S = Safety Part Be sure to use exact replacement part.

5121	Quartz 75kHz	4822	242	10261	5304	Filter Coil	4822	157	62255
5123	Osc Coil MW	4822	157	60517	5306	Filter Coil	4822	157	62255
5130	RF-Coil 1.5T	4822	156	30947	5901	Filter Coil	4822	157	62255
5131	RF-Coil 1.5T	4822	156	30947	5902	Filter Coil	4822	157	62255
SEMICONDUCTORS									
6103	Diode, 1N4148	4822	130	30621	2251	100nF., 5%, 250V	5322	121	42578
6104	Diode, 1N4148	4822	130	30621	2254	100nF., 5%, 250V	5322	121	42578
6105	Diode, HN1V02H-B	4822	130	83075	2259	4700uF., 20%, 50V.	4822	124	80415
6106	Diode, 1N4148	4822	130	30621	2260	4700uF., 20%, 50V.	4822	124	80415
6107	Diode, BZX79-B11	4822	130	34488	2266	100nF., 5%, 63V.	5322	121	42386
6120	Diode, 1N4148, only in /17	4822	130	30621	2268	100nF., 5%, 63V.	5322	121	42386
6130	Diode, 1SV228	4822	130	82833	2269	2200uF., 20%, 35V.	4822	124	11583
6131	Diode, 1SV228	4822	130	82833	2270	100nF., Y5V 0805 50V	4822	126	13838
7101	IC, TEA5757H/V1	4822	209	90924	2271	470nF., 10%, 16V	4822	126	14583
7102	Transistor, 2SA838B	4822	130	60093	2272	6800uF., 16V	4822	124	12328
7111	Transistor, BC848C	5322	130	42136	2273	100nF., 10%, X7R, 50V.	4822	126	14585
MDM MODULE PARTS									
MDM MODULE PARTS									
1003	MDM Module (Complete)	3104	217	05750	2274	470nF., 10%, 16V XTR 0805	4822	126	14583
1800	Connector	4822	267	31729	2275	1000uF., 16V	4822	124	81144
1801	Connector	4822	267	31448	2276	100nF., 10%, X7R, 50V.	4822	126	14585
6800	GPLF32R	4822	218	11487	2277	470nF., 10%, 16V	4822	126	14583
6801	LF33CV Stabilizer	4822	209	16978	2278	2.2uF., 20%, 50V	4822	124	22652
MAINS BOARD PARTS LIST									
MAINS BOARD PARTS LIST									
MISCELLANEOUS									
S 1052	MAINS OUTLET	2422	030	00301	2279	10uF., 20%, 63V.	4822	124	40248
S 1054	MAINS OUTLET	2422	030	00301	2298	47nF., 10%, X7R, 63V	4822	126	13751
S 1056	MAINS SWITCH	4822	276	13224	2301	22nF., 10%, X7R, 63V	5322	122	32654
S 1061	MAINS INLET	4822	265	20723	2302	22uF., 50V	4822	124	81151
S 1062	RELAY	4822	280	10391	2306	10uF., 20%, 63V.	4822	124	40248
1064	B2P3-VH	4822	265	20723	2307	4.7pF., 5%, NP0, 50V	5322	122	32287
S 1066	FUSE, 4A	4822	253	10126	2310	10uF., 20%, 63V.	4822	124	40248
S 1069	FUSE, 315MA	4822	071	53151	2311	470pF., 10%, 50V	5322	122	32268
S 1078	FUSE, 1.6A	4822	071	51602	2313	220pF., 5%, NP0, 63V	4822	122	33575
S 1079	FUSE, 2A	4822	071	52002	2314	220nF., 80-20%, 50V.	4822	126	13473
S 5052	Transformer, Standby /17	4822	146	11142	2315	100uF., 20%, 10V	4822	124	41584
CAPACITORS									
2051	47nF., 5%, 250V	4822	121	43526	2316	10uF., 20%, 63V.	4822	124	40248
2052	47nF., 5%, 250V	4822	121	43526	2319	470pF., 10%, 50V	5322	122	32268
2055	4.7nF., 20% 250V	4822	126	14084	2321	220nF., 80-20%, 50V.	4822	126	13473
RESISTORS									
S 3051	10 Meg, 5%, 0.5W	4822	053	21106	2324	4.7pF., 5%, NP0, 50V	5322	122	32287
3052	1K, 1%, 0.4W	4822	050	11002	2325	220pF., 5%, NP0, 63V	4822	122	33575
3053	1K, 1%, 0.4W	4822	050	11002	2330	100uF., 20%, 10V	4822	124	41584
3057	12 Ohm, 5%, 0.33W	4822	052	10129	2333	220nF., 80-20%, 50V.	4822	126	13473
3058	2.2K, 5%, 0.5W	4822	116	52256	2334	10uF., 20%, 63V.	4822	124	40248
3059	10K, 1%, 0.6W	4822	050	21003	2337	470pF., 10%, 50V	5322	122	32268
3061	10K, 1%, 0.6W	4822	050	21003	2341	220pF., 5%, NP0, 63V	4822	122	33575
SEMICONDUCTORS									
6051	Diode, 1N4148	4822	130	30621	2346	100uF., 20%, 10V	4822	124	41584
6052	Diode, 1N4003G	4822	130	31878	2347	4.7pF., 5%, NP0, 50V	5322	122	32287
6053	Diode, 1N4003G	4822	130	31878	2349	10uF., 20%, 63V.	4822	124	40248
6055	Diode, 1N4003G	4822	130	31878	2350	220uF., 20%, 10V	4822	124	40181
6056	Diode, 1N4003G	4822	130	31878	2351	47nF., 10%, X7R, 63V	4822	126	13751
6057	Diode, 1N4148	4822	130	30621	2352	22uF., 50V	4822	124	81151
6058	Diode, 1N4148	4822	130	30621	2357	100nF., +80-20%, 50V	4822	126	12882
6062	Diode, 1N4148	4822	130	30621	2358	220nF., 80-20%, 50V.	4822	126	13473
6063	Diode, 1N4148	4822	130	30621	2359	220nF., 80-20%, 50V.	4822	126	13473
6064	Diode, 1N4148	4822	130	30621	2360	220nF., 80-20%, 50V.	4822	126	13473
6066	Diode, 1N4148	4822	130	30621	2365	10nF., 5%, 250V.	4822	121	41857
6067	Diode, 1N4148	4822	130	30621	2371	4.7nF., 10%, X7R, 63V.	5322	126	10223
7053	Transistor, BC337-25	4822	130	40981	2372	4.7nF., 10%, X7R, 63V.	5322	126	10223
MONO BOARD PARTS LIST									
MONO BOARD PARTS LIST									
MISCELLANEOUS									
S 1258	FUSE, 1.6A	4822	071	51602	2373	4.7nF., 10%, X7R, 63V.	5322	126	10223
S 1260	FUSE, 6.3A	4822	252	51123	2374	100pF., 5%, NP0, 50V	5322	122	32531
S 1261	FUSE, 6.3A	4822	252	51123	2375	100pF., 5%, NP0, 50V	5322	122	32531
S 1262	FUSE, 1A	4822	252	51173	2376	100pF., 5%, NP0, 50V	5322	122	32531
1301	CONN LS.	2422	015	19088	2501	1nF., 5%, NP0, 50V	5322	126	10511
1502	CINCH 4P	4822	267	31823	2502	1nF., 5%, NP0, 50V	5322	126	10511
1512	CINCH 4P	4822	267	31823	2505	1nF., 5%, NP0, 50V	5322	126	10511
1513	CINCH 4P	4822	267	31823	2506	1nF., 5%, NP0, 50V	5322	126	10511
1514	CINCH 4P	4822	267	31823	2507	1nF., 5%, NP0, 50V	5322	126	10511
1516	CINCH 4P	4822	267	31823	2508	100pF., 5%, NP0, 50V	5322	122	32531
1520	CINCH 1P	4822	265	10981	2509	100pF., 5%, NP0, 50V	5322	122	32531
1521	CON BM V 12P	2422	025	11067	2510	100pF., 5%, NP0, 50V	5322	122	32531
1523	CON BM V 12P	2422	025	11067	2511	100pF., 5%, NP0, 50V	5322	122	32531
1525	CINCH 2P	4822	265	11608	2512	100pF., 5%, NP0, 50V	5322	122	32531
S 1530	FUSE 315mA	4822	071	53151	2513	100pF., 5%, NP0, 50V	5322	122	32531
1540	CINCH 2P	4822	265	20542	2514	100pF., 5%, NP0, 50V	5322	122	32531
1542	CINCH 2P	2422	026	05134	2515	100pF., 5%, NP0, 50V	5322	122	32531
1550	CINCH 1P	4822	267	31729	2516	100pF., 5%, NP0, 50V	5322	122	32531
1801	CONN, 1P	4822	267	31996	2517	100pF., 5%, NP0, 50V	5322	122	32531
1802	CINCH 2P	4822	265	11619	2518	100pF., 5%, NP0, 50V	5322	122	32531
1803	CINCH 2P	4822	265	11619	2519	100pF., 5%, NP0, 50V	5322	122	32531
1901	CONN, CLICK 4P	4822	265	11609	2520	100pF., 5%, NP0, 50V	5322	122	32531
5302	Filter Coil	4822	157	62255	2521	100pF., 5%, NP0, 50V	5322	122	32531
					2522	100pF., 5%, NP0, 50V	5322	122	32531
					2525	100pF., 5%, NP0, 50V	5322	122	32531
					2526	100pF., 5%, NP0, 50V	5322	122	32531
					2527	47uF., 20%, 50V.	4822	124	41751
					2528	47uF., 20%, 50V.	4822	124	41751
					2529	100nF., Y5V 50V, +80-20%	4822	126	13838
					2530	100nF., Y5V 50V, +80-20%	4822	126	13838
					2531	220nF., 5%, 63V.	4822	121	42408

S = Safety Part Be sure to use exact replacement part.

2532	220nF., 5%, 63V.	4822 121 42408	2639	47uF., 20%, 50V.	4822 124 41751
2533	22uF., 50V	4822 124 81151	2641	1uF., 20%, 63V	4822 124 21913
2534	22uF., 50V	4822 124 81151	2642	1uF., 20%, 63V	4822 124 21913
2535	22uF., 50V	4822 124 81151	2643	1uF., 20%, 63V	4822 124 21913
2536	22uF., 50V	4822 124 81151	2644	1uF., 20%, 63V	4822 124 21913
2537	22uF., 50V	4822 124 81151	2645	1uF., 20%, 63V	4822 124 21913
2538	22uF., 50V	4822 124 81151	2646	1uF., 20%, 63V	4822 124 21913
2539	100uF., 20%, 25V	4822 124 40207	2647	1uF., 20%, 63V	4822 124 21913
2540	47uF., 20%, 25V	4822 124 40433	2648	1uF., 20%, 63V	4822 124 21913
2541	10uF., 20%, 63V	4822 124 40248	2649	1uF., 20%, 63V	4822 124 21913
2542	10uF., 20%, 63V	4822 124 40248	2650	1uF., 20%, 63V	4822 124 21913
2543	220uF., 20%, 6.3V.	4822 124 11912	2651	1uF., 20%, 63V	4822 124 21913
2544	220uF., 20%, 6.3V.	4822 124 11912	2652	1uF., 20%, 63V	4822 124 21913
2545	100pF., 5%, NP0, 50V	5322 122 32531	2655	1uF., 20%, 63V	4822 124 21913
2546	100pF., 5%, NP0, 50V	5322 122 32531	2656	1uF., 20%, 63V	4822 124 21913
2549	22pF., 5%, 50V	5322 122 32658	2657	1uF., 20%, 63V	4822 124 21913
2550	22pF., 5%, 50V	5322 122 32658	2658	1uF., 20%, 63V	4822 124 21913
2551	100nF., Y5V 50V, +80-20%	4822 126 13838	2659	2.2uF., 20%, 50V	4822 124 22652
2552	100nF., Y5V 50V, +80-20%	4822 126 13838	2660	2.2uF., 20%, 50V	4822 124 22652
2553	47uF., 20%, 50V	4822 124 41751	2661	2.2uF., 20%, 50V	4822 124 22652
2554	47uF., 20%, 50V	4822 124 41751	2662	2.2uF., 20%, 50V	4822 124 22652
2555	100nF., Y5V 50V, +80-20%	4822 126 13838	2663	2.2uF., 20%, 50V	4822 124 22652
2556	100nF., Y5V 50V, +80-20%	4822 126 13838	2664	2.2uF., 20%, 50V	4822 124 22652
2557	47uF., 20%, 50V	4822 124 41751	2665	47nF., 5%, 250V	4822 121 43526
2558	47uF., 20%, 50V	4822 124 41751	2666	47nF., 5%, 250V	4822 121 43526
2559	33nF., 5%, 50V, X7R.	4822 126 12105	2667	47nF., 5%, 250V	4822 121 43526
2561	22uF., 100V	4822 124 40764	2668	47nF., 5%, 250V	4822 121 43526
2562	22uF., 100V	4822 124 40764	2669	47nF., 5%, 250V	4822 121 43526
2563	2200uF., 16V, 20%	4822 123 14025	2670	47nF., 5%, 250V	4822 121 43526
2564	2.2uF., 20%, 50V	4822 124 22652	2671	6.8nF., 10%, X7R, 63V	5322 122 31866
2565	2.2uF., 20%, 50V	4822 124 22652	2672	6.8nF., 10%, X7R, 63V	5322 122 31866
2566	2.2uF., 20%, 50V	4822 124 22652	2673	6.8nF., 10%, X7R, 63V	5322 122 31866
2567	4.7uF., 20%, 100V	4822 124 40769	2674	6.8nF., 10%, X7R, 63V	5322 122 31866
2568	4.7uF., 20%, 100V	4822 124 40769	2675	6.8nF., 10%, X7R, 63V	5322 122 31866
2569	100pF., 5%, NP0, 50V	5322 122 32531	2676	6.8nF., 10%, X7R, 63V	5322 122 31866
2570	100pF., 5%, NP0, 50V	5322 122 32531	2677	22nF., 10%, X7R, 63V	5322 122 32654
2571	10uF., 20%, 63V	4822 124 40248	2678	22nF., 10%, X7R, 63V	5322 122 32654
2572	10uF., 20%, 63V	4822 124 40248	2679	22nF., 10%, X7R, 63V	5322 122 32654
2573	220pF., 5%, NP0, 63V	4822 122 33575	2680	22nF., 10%, X7R, 63V	5322 122 32654
2574	220pF., 5%, NP0, 63V	4822 122 33575	2681	22nF., 10%, X7R, 63V	5322 122 32654
2575	10uF., 20%, 63V	4822 124 40248	2682	22nF., 10%, X7R, 63V	5322 122 32654
2576	10uF., 20%, 63V	4822 124 40248	2683	22nF., 10%, X7R, 63V	5322 122 32654
2577	10nF., 20%, X7R, 50V	4822 122 33177	2684	22nF., 10%, X7R, 63V	5322 122 32654
2578	10nF., 20%, X7R, 50V	4822 122 33177	2685	22nF., 10%, X7R, 63V	5322 122 32654
2579	2.2nF., 10%, X7R, 63V	4822 122 33127	2686	22nF., 10%, X7R, 63V	5322 122 32654
2580	2.2nF., 10%, X7R, 63V	4822 122 33127	2687	22nF., 10%, X7R, 63V	5322 122 32654
2581	47uF., 20%, 50V	4822 124 41751	2688	22nF., 10%, X7R, 63V	5322 122 32654
2582	47uF., 20%, 50V	4822 124 41751	2689	68nF., 5%, 63V	5322 121 42465
2583	3.3nF., 10%, X7R, 63V	4822 122 33891	2690	68nF., 5%, 63V	5322 121 42465
2584	3.3nF., 10%, X7R, 63V	4822 122 33891	2691	68nF., 5%, 63V	5322 121 42465
2585	82pF., 1%, NP0, 63V	4822 126 13695	2692	68nF., 5%, 63V	5322 121 42465
2586	82pF., 1%, NP0, 63V	4822 126 13695	2693	68nF., 5%, 63V	5322 121 42465
2593	22uF., 50V	4822 124 81151	2694	68nF., 5%, 63V	5322 121 42465
2594	22uF., 50V	4822 124 81151	2695	68nF., 5%, 63V	5322 121 42465
2595	100pF., 5%, NP0, 50V	5322 122 32531	2696	68nF., 5%, 63V	5322 121 42465
2596	100pF., 5%, NP0, 50V	5322 122 32531	2697	68nF., 5%, 63V	5322 121 42465
2599	22pF., 5%, 50V	5322 122 32658	2698	68nF., 5%, 63V	5322 121 42465
2600	22pF., 5%, 50V	5322 122 32658	2699	68nF., 5%, 63V	5322 121 42465
2603	22uF., 50V	4822 124 81151	2700	68nF., 5%, 63V	5322 121 42465
2604	22uF., 50V	4822 124 81151	2801	10uF., 50V	4822 124 22833
2605	47pF., 1%, NP0, 63V	4822 126 13692	2802	10uF., 50V	4822 124 22833
2606	47pF., 1%, NP0, 63V	4822 126 13692	2803	10uF., 50V	4822 124 22833
2607	47uF., 20%, 50V	4822 124 41751	2804	10uF., 50V	4822 124 22833
2608	47uF., 20%, 50V	4822 124 41751	2805	100nF., 10%, X7R, 50V	4822 126 14585
2610	220pF., 5%, NP0, 63V	4822 122 33575	2806	100nF., 10%, X7R, 50V	4822 126 14585
2611	100uF., 20%, 25V	4822 124 40207	2807	100nF., 10%, X7R, 50V	4822 126 14585
2612	10uF., 20%, 63V	4822 124 40248	2809	10nF., 10%, X7R, 63V	5322 122 34098
2613	10uF., 20%, 63V	4822 124 40248	2810	220uF., 10V	4822 124 12245
2614	100uF., 20%, 25V	4822 124 40207	2811	10nF., 10%, X7R, 63V	5322 122 34098
2615	22nF., 10%, X7R, 63V	5322 122 32654	2812	220uF., 20%, 25V	4822 124 80144
2616	22nF., 10%, X7R, 63V	5322 122 32654	2813	1uF., 20%, 63V	4822 124 21913
2617	10uF., 20%, 63V	4822 124 40248	2814	47pF., 1%, NP0, 63V	4822 126 13692
2618	10uF., 20%, 63V	4822 124 40248	2815	100nF., 10%, X7R, 50V	4822 126 14585
2619	100pF., 5%, NP0, 50V	5322 122 32531	2816	22nF., 10%, X7R, 63V	5322 122 32654
2620	100pF., 5%, NP0, 50V	5322 122 32531	2817	1uF., 20%, 63V	4822 124 21913
2622	100pF., 5%, NP0, 50V	5322 122 32531	2818	22nF., 10%, X7R, 63V	5322 122 32654
2623	100pF., 5%, NP0, 50V	5322 122 32531	2821	22nF., 10%, X7R, 63V	5322 122 32654
2624	100pF., 5%, NP0, 50V	5322 122 32531	2822	22nF., 10%, X7R, 63V	5322 122 32654
2625	100pF., 5%, NP0, 50V	5322 122 32531	2831	100pF., 5%, NP0, 50V	5322 122 32531
2626	100pF., 5%, NP0, 50V	5322 122 32531	2832	100nF., 10%, X7R, 50V	4822 126 14585
2627	100pF., 5%, NP0, 50V	5322 122 32531	2833	22nF., 10%, X7R, 63V	5322 122 32654
2628	100nF., 10%, X7R, 50V	4822 126 14585	2834	100pF., 5%, NP0, 50V	5322 122 32531
2629	47uF., 20%, 50V	4822 124 41751	2835	100pF., 5%, NP0, 50V	5322 122 32531
2630	100nF., 5%, 63V	5322 121 42386	2836	100pF., 5%, NP0, 50V	5322 122 32531
2631	100nF., 5%, 63V	5322 121 42386	2837	100pF., 5%, NP0, 50V	5322 122 32531
2632	100nF., 5%, 63V	5322 121 42386	2851	22pF., 5%, 50V	5322 122 32658
2633	22nF., 10%, X7R, 63V	5322 122 32654	2852	22pF., 5%, 50V	5322 122 32658
2634	22nF., 10%, X7R, 63V	5322 122 32654	2853	22uF., 50V	4822 124 81151
2635	22nF., 10%, X7R, 63V	5322 122 32654	2854	22uF., 50V	4822 124 81151
2636	100nF., 10%, X7R, 50V	4822 126 14585	2855	100pF., 5%, NP0, 50V	5322 122 32531
2637	47uF., 20%, 50V	4822 124 41751	2856	100pF., 5%, NP0, 50V	5322 122 32531
2638	100nF., 10%, X7R, 50V	4822 126 14585	2857	100nF., 10%, X7R, 50V	4822 126 14585

S = Safety Part Be sure to use exact replacement part.

2858	47uF., 20%, 50V.	4822 124 41751	3315	1.8K, 5%, 0.1W	4822 051 20182
2860	47uF., 20%, 50V.	4822 124 41751	3316	4.7 Ohm, 1%, 0.6W	4822 050 24708
2861	22nF., 10%, X7R, 63V	5322 122 32654	3319	56K, 1%, 0.1W	4822 117 11148
2862	100pF., 5%, NP0, 50V	5322 122 32531	3322	56K, 1%, 0.1W	4822 117 11148
2863	100pF., 5%, NP0, 50V	5322 122 32531	S 3323	1.8K, 5%, 0.1W	4822 051 20182
2864	100pF., 5%, NP0, 50V	5322 122 32531	3324	56K, 1%, 0.1W	4822 117 11148
2865	100pF., 5%, NP0, 50V	5322 122 32531	3326	33K, 5%, 0.1W	4822 051 20333
2866	100pF., 5%, NP0, 50V	5322 122 32531	3327	220 Ohm, 1%, 0.1W	4822 117 11503
2867	100pF., 5%, NP0, 50V	5322 122 32531	S 3328	47 Ohm, 5%, 0.33W	4822 052 10479
2868	220pF., 5%, NP0, 63V	4822 122 33575	3329	100K, 1%, 0.1W	4822 117 10837
2869	220pF., 5%, NP0, 63V	4822 122 33575	3330	10K, 1%, 0.1W	4822 117 10833
2871	10nF., 20%, X7R, 50V	4822 122 33177	3334	1K, 2%, 0.25W	4822 051 10102
2872	10nF., 20%, X7R, 50V	4822 122 33177	3335	1K, 2%, 0.25W	4822 051 10102
2873	10nF., 20%, X7R, 50V	4822 122 33177	3336	1K, 2%, 0.25W	4822 051 10102
2875	10nF., 20%, X7R, 50V	4822 122 33177	S 3337	0.22 Ohm, 5%, 1W	4822 117 11744
2876	10nF., 20%, X7R, 50V	4822 122 33177	S 3338	0.22 Ohm, 5%, 1W	4822 117 11744
2877	100nF., 5%, 63V	5322 121 42386	3339	1.5K, 1%, 0.1W	4822 117 11139
2878	100nF., 5%, 63V	5322 121 42386	3340	1.5K, 1%, 0.1W	4822 117 11139
2879	100nF., 5%, 63V	5322 121 42386	S 3341	0.22 Ohm, 5%, 1W	4822 117 11744
2880	100nF., 5%, 63V	5322 121 42386	S 3342	0.22 Ohm, 5%, 1W	4822 117 11744
2881	100nF., 5%, 63V	5322 121 42386	3343	1.5K, 1%, 0.1W	4822 117 11139
2882	100nF., 5%, 63V	5322 121 42386	S 3344	0.22 Ohm, 5%, 1W	4822 117 11744
2883	1nF., 5%, NP0, 50V	5322 126 10511	S 3345	0.22 Ohm, 5%, 1W	4822 117 11744
2884	1nF., 5%, NP0, 50V	5322 126 10511	S 3352	4.7 Ohm, 5%, 1W	4822 053 10478
2885	1nF., 5%, NP0, 50V	5322 126 10511	S 3353	4.7 Ohm, 5%, 1W	4822 053 10478
2886	1nF., 5%, NP0, 50V	5322 126 10511	S 3354	4.7 Ohm, 5%, 1W	4822 053 10478
2887	2.2nF., 10%, X7R, 63V	4822 122 33127	3356	47K, 1%, 0.1W	4822 117 10834
2888	2.2nF., 10%, X7R, 63V	4822 122 33127	3357	10K, 1%, 0.6W	4822 050 21003
2901	22uF., 50V	4822 124 81151	3358	1K, 2%, 0.25W	4822 051 10102
2902	10uF., 20%, 63V	4822 124 40248	3359	100K, 1%, 0.1W	4822 117 10837
2903	4.7pF., 5%, NP0, 50V	5322 122 32287	3360	10K, 1%, 0.1W	4822 117 10833
2904	47nF., 10%, X7R, 63V	4822 126 13751	3361	470 Ohm, 5%, 0.1W	4822 051 20471
2905	10uF., 20%, 63V	4822 124 40248	3362	470 Ohm, 5%, 0.1W	4822 051 20471
2906	470pF., 10%, 50V	5322 122 32268	3363	470 Ohm, 5%, 0.1W	4822 051 20471
2908	220nF., 80-20%, 50V	4822 126 13473	3501	15K, 1%, 0.1W	4822 116 83933
2909	4.7nF., 10%, X7R, 63V	5322 126 10223	3502	15K, 1%, 0.1W	4822 116 83933
2910	220pF., 5%, NP0, 63V	4822 122 33575	3505	15K, 5%, 0.5W	4822 116 52244
2911	22nF., 10%, X7R, 63V	5322 122 32654	3506	15K, 5%, 0.5W	4822 116 52244
2912	100uF., 20%, 10V	4822 124 41584	3509	15K, 1%, 0.1W	4822 116 83933
2913	10uF., 20%, 63V	4822 124 40248	3510	15K, 1%, 0.1W	4822 116 83933
2914	470pF., 10%, 50V	5322 122 32268	3511	100 Ohm, 5%, 0.1W	4822 051 20101
2916	220nF., 80-20%, 50V	4822 126 13473	3512	100 Ohm, 5%, 0.1W	4822 051 20101
2917	4.7nF., 10%, X7R, 63V	5322 126 10223	3513	47K, 1%, 0.1W	4822 117 10834
2918	220pF., 5%, NP0, 63V	4822 122 33575	3514	47K, 1%, 0.1W	4822 117 10834
2919	100uF., 20%, 10V	4822 124 41584	3515	470 Ohm, 5%, 0.1W	4822 051 20471
2920	220nF., 80-20%, 50V	4822 126 13473	3516	470 Ohm, 5%, 0.1W	4822 051 20471
2921	220nF., 80-20%, 50V	4822 126 13473	3517	39K, 5%, 0.1W	4822 051 20393
2922	4.7pF., 5%, NP0, 50V	5322 122 32287	3518	39K, 5%, 0.1W	4822 051 20393
2923	22uF., 50V	4822 124 81151	3519	8.2K, 5%, 0.1W	4822 051 20822
2924	10uF., 20%, 63V	4822 124 40248	3520	8.2K, 5%, 0.1W	4822 051 20822
2925	220uF., 20%, 10V	4822 124 40181	3521	39K, 5%, 0.1W	4822 051 20393
2926	100nF., 10%, X7R, 50V	4822 126 14585	3522	39K, 5%, 0.1W	4822 051 20393
2930	100pF., 5%, NP0, 50V	5322 122 32531	3523	8.2K, 5%, 0.1W	4822 051 20822
2931	100pF., 5%, NP0, 50V	5322 122 32531	3524	8.2K, 5%, 0.1W	4822 051 20822
2932	100pF., 5%, NP0, 50V	5322 122 32531	3525	39K, 5%, 0.1W	4822 051 20393
2933	100pF., 5%, NP0, 50V	5322 122 32531	3526	39K, 5%, 0.1W	4822 051 20393
2934	1nF., 5%, NP0, 50V	5322 126 10511	3527	8.2K, 5%, 0.1W	4822 051 20822
2937	220pF., 5%, NP0, 63V	4822 122 33575	3528	8.2K, 5%, 0.1W	4822 051 20822
RESISTORS					
3251	470 Ohm, 5%, 0.1W	4822 051 20471	3530	470 Ohm, 5%, 0.1W	4822 051 20471
3252	100K, 1%, 0.1W	4822 117 10837	3531	39K, 5%, 0.1W	4822 051 20393
3253	100K, 1%, 0.1W	4822 117 10837	3532	39K, 5%, 0.1W	4822 051 20393
S 3254	0.33 Ohm, 5%, 2W	4822 117 11342	3533	8.2K, 5%, 0.1W	4822 051 20822
3256	10K, 1%, 0.1W	4822 117 10833	3534	8.2K, 5%, 0.1W	4822 051 20822
S 3257	0.33 Ohm, 5%, 2W	4822 117 11342	3537	39K, 5%, 0.1W	4822 051 20393
3258	82K, 1%, 0.1W	4822 117 11149	3538	39K, 5%, 0.1W	4822 051 20393
3259	680 Ohm, 1%, 0.1W	4822 117 10361	3539	8.2K, 5%, 0.1W	4822 051 20822
3260	47K, 1%, 0.1W	4822 117 10834	3540	8.2K, 5%, 0.1W	4822 051 20822
3263	680 Ohm, 1%, 0.1W	4822 117 10361	3541	39K, 5%, 0.1W	4822 051 20393
3264	100K, 1%, 0.1W	4822 117 10837	3542	39K, 5%, 0.1W	4822 051 20393
3266	22K, 5%, 0.1W	4822 051 20223	3543	2.7K, 1%, 0.1W, 0805	4822 117 12955
3267	3.9K, 5%, 0.1W	4822 051 20392	3544	2.7K, 1%, 0.1W, 0805	4822 117 12955
3268	3.3K, 5%, 0.1W	4822 051 20332	3545	10K, 1%, 0.1W	4822 117 10833
3269	3.3K, 5%, 0.1W	4822 051 20332	3546	10K, 1%, 0.1W	4822 117 10833
S 3270	47 Ohm, 5%, 0.33W	4822 052 10479	3551	270 Ohm, 1%, 0.1W	4822 117 11504
S 3271	47 Ohm, 5%, 0.33W	4822 052 10479	3552	270 Ohm, 1%, 0.1W	4822 117 11504
3272	39K, 5%, 0.1W	4822 051 20393	3553	270 Ohm, 1%, 0.1W	4822 117 11504
S 3291	10 Ohm, 5%, 0.33W	4822 052 10109	3554	270 Ohm, 1%, 0.1W	4822 117 11504
3292	15K, 1%, 0.1W	4822 116 83933	3555	3.3K, 5%, 0.1W	4822 051 20332
3293	10K, 1%, 0.1W	4822 117 10833	3556	270 Ohm, 1%, 0.1W	4822 117 11504
3294	10K, 1%, 0.1W	4822 117 10833	3557	270 Ohm, 1%, 0.1W	4822 117 11504
3295	15K, 1%, 0.1W	4822 116 83933	3560	1K, 2%, 0.25W	4822 051 10102
S 3301	47 Ohm, 5%, 0.33W	4822 052 10479	3561	4.7 Ohm, 5%, 0.33W	4822 052 10478
3304	56K, 1%, 0.1W	4822 117 11148	3562	470 Ohm, 5%, 0.1W	4822 051 20471
3305	47K, 1%, 0.1W	4822 117 10834	3563	1K, 2%, 0.25W	4822 051 10102
3306	47K, 1%, 0.1W	4822 117 10834	3566	270 Ohm, 5%, 0.5W	4822 116 83876
3307	47K, 1%, 0.1W	4822 117 10834	3567	270 Ohm, 5%, 0.5W	4822 116 83876
3308	56K, 1%, 0.1W	4822 117 11148	3571	330K, 5%, 0.1W	4822 051 20334
3309	4.7 Ohm, 1%, 0.6W	4822 050 24708	3572	330K, 5%, 0.1W	4822 051 20334
3310	1.8K, 5%, 0.1W	4822 051 20182	3573	1K, 2%, 0.25W	4822 051 10102
3311	4.7 Ohm, 1%, 0.6W	4822 050 24708	3574	1K, 2%, 0.25W	4822 051 10102
3314	56K, 1%, 0.1W	4822 117 11148	3575	56K, 1%, 0.1W	4822 117 11148

S = Safety Part Be sure to use exact replacement part.

3576	56K, 1%, 0.1W	4822 117 11148	3682	100 Ohm, 5%, 0.1W	4822 051 20101
3577	560 Ohm, 5%, 0.1W	4822 051 20561	3683	47K, 1%, 0.1W	4822 117 10834
3578	560 Ohm, 5%, 0.1W	4822 051 20561	3684	47K, 1%, 0.1W	4822 117 10834
3579	390K, 5%, 0.1W	4822 051 20394	3685	2.2K, 1%, 0.1W	4822 117 11449
3580	390K, 5%, 0.1W	4822 051 20394	3686	2.2K, 1%, 0.1W	4822 117 11449
3581	27K, 5%, 0.1W	4822 051 20273	3687	100 Ohm, 5%, 0.1W	4822 051 20101
3582	27K, 5%, 0.1W	4822 051 20273	3688	100 Ohm, 5%, 0.1W	4822 051 20101
3583	10K, 1%, 0.1W	4822 117 10833	3689	2.2K, 1%, 0.1W	4822 117 11449
3584	10K, 1%, 0.1W	4822 117 10833	3690	2.2K, 1%, 0.1W	4822 117 11449
3585	1.5K, 1%, 0.1W	4822 117 11139	3691	2.2K, 5%, 0.5W	4822 116 52256
3586	1.5K, 1%, 0.1W	4822 117 11139	3692	2.2K, 1%, 0.1W	4822 117 11449
3587	3.9K, 5%, 0.1W	4822 051 20392	3693	2.2K, 1%, 0.1W	4822 117 11449
3588	3.9K, 5%, 0.5W	4822 116 52276	3694	2.2K, 5%, 0.5W	4822 116 52256
3589	10K, 1%, 0.1W	4822 117 10833	3695	220K 1%, 0.1W, RC12H	4822 117 13579
3590	10K, 1%, 0.1W	4822 117 10833	3696	10K, 1%, 0.1W	4822 117 10833
3591	100K, 1%, 0.1W	4822 117 10837	3697	22K, 5%, 0.5W	4822 116 52257
3592	100K, 1%, 0.1W	4822 117 10837	3698	220K 1%, 0.1W, RC12H	4822 117 13579
3593	4.7k, 5%, 0.1W	4822 051 20472	3699	10K, 1%, 0.1W	4822 117 10833
3594	4.7K, 5%, 0.1W	4822 051 20472	3700	22K, 5%, 0.1W	4822 051 20223
3595	4.7K, 5%, 0.1W	4822 051 20472	3801	68 Ohm, 1%, 0.1W	4822 117 12521
3596	4.7K, 5%, 0.1W	4822 051 20472	3802	68 Ohm, 1%, 0.1W	4822 117 12521
3597	5.6K, 5%, 0.5W	4822 116 52289	3803	68 Ohm, 1%, 0.1W	4822 117 12521
3598	5.6K, 5%, 0.5W	4822 116 52289	3804	68 Ohm, 1%, 0.1W	4822 117 12521
3601	100 Ohm, 5%, 0.1W	4822 051 20101	3805	1K, 2%, 0.25W	4822 051 10102
3602	100 Ohm, 5%, 0.1W	4822 051 20101	3806	1K, 2%, 0.25W	4822 051 10102
3603	100K, 1%, 0.1W	4822 117 10837	3809	10 Ohm, 5%, 0.1W	4822 051 20109
3604	100K, 1%, 0.1W	4822 117 10837	3810	2.2K, 1%, 0.1W	4822 117 11449
3605	12K, 1%, 0.1W	4822 117 11383	3811	10 Ohm, 5%, 0.1W	4822 051 20109
3606	12K, 1%, 0.1W	4822 117 11383	3812	470 Ohm, 5%, 0.1W	4822 051 20471
3607	33K, 5%, 0.1W	4822 051 20333	3813	120 Ohm, 5%, 0.1W	4822 051 20121
3608	33K, 5%, 0.1W	4822 051 20333	3814	10 Ohm, 5%, 0.1W	4822 051 20109
3609	120 Ohm, 5%, 0.1W	4822 051 20121	3815	68 Ohm, 1%, 0.1W	4822 117 12521
3610	120 Ohm, 5%, 0.1W	4822 051 20121	3816	68 Ohm, 1%, 0.1W	4822 117 12521
3611	47K, 1%, 0.1W	4822 117 10834	3817	270 Ohm, 1%, 0.1W	4822 117 11504
3612	47K, 1%, 0.1W	4822 117 10834	3818	220 Ohm, 1%, 0.1W	4822 117 11503
3613	470 Ohm, 5%, 0.1W	4822 051 20471	3819	10 Ohm, 5%, 0.1W	4822 051 20109
3614	470 Ohm, 5%, 0.1W	4822 051 20471	3820	100 Ohm, 5%, 1W	4822 053 10101
3615	470 Ohm, 5%, 0.1W	4822 051 20471	3821	100 Ohm, 5%, 1W	4822 053 10101
3616	470 Ohm, 5%, 0.1W	4822 051 20471	3831	100 Ohm, 5%, 0.1W	4822 051 20101
3618	47K, 1%, 0.1W	4822 117 10834	3832	47 Ohm, 5%, 0.1W	4822 051 20479
3619	47K, 1%, 0.1W	4822 117 10834	3834	100 Ohm, 5%, 0.1W	4822 051 20101
3620	100 Ohm, 5%, 0.5W	4822 116 52175	3851	3.3K, 5%, 0.1W	4822 051 20332
3621	100 Ohm, 5%, 0.1W	4822 051 20101	3852	22K, 5%, 0.1W	4822 051 20223
3622	120 Ohm, 5%, 0.1W	4822 051 20121	3853	10K, 1%, 0.1W	4822 117 10833
3623	120 Ohm, 5%, 0.1W	4822 051 20121	3854	4.7K, 5%, 0.1W	4822 051 20472
S 3627	10 Ohm, 5%, 0.33W	4822 052 10109	3855	270 Ohm, 5%, 0.5W	4822 116 83876
S 3629	10 Ohm, 5%, 0.33W	4822 052 10109	3856	270 Ohm, 1%, 0.1W	4822 117 11504
3630	1K, 1%, 0.4W	4822 050 11002	3857	100K, 1%, 0.1W	4822 117 10837
3631	1K, 1%, 0.4W	4822 050 11002	3858	100K, 1%, 0.1W	4822 117 10837
3632	1K, 1%, 0.4W	4822 050 11002	3859	10K, 1%, 0.1W	4822 117 10833
3633	1K, 2%, 0.25W	4822 051 10102	3860	10K, 1%, 0.1W	4822 117 10833
3634	1K, 2%, 0.25W	4822 051 10102	3871	3.3K, 5%, 0.1W	4822 051 20332
3635	1K, 2%, 0.25W	4822 051 10102	3872	3.3K, 5%, 0.1W	4822 051 20332
3636	470 Ohm, 5%, 0.1W	4822 051 20471	3873	1K, 2%, 0.25W	4822 051 10102
3637	470 Ohm, 5%, 0.1W	4822 051 20471	3874	1K, 2%, 0.25W	4822 051 10102
3641	100K, 1%, 0.1W	4822 117 10837	3875	3.3K, 5%, 0.1W	4822 051 20332
3642	100K, 1%, 0.1W	4822 117 10837	3877	1K, 2%, 0.25W	4822 051 10102
3643	100K, 1%, 0.1W	4822 117 10837	3878	1K, 2%, 0.25W	4822 051 10102
3644	100K, 1%, 0.1W	4822 117 10837	3879	3.3K, 5%, 0.1W	4822 051 20332
3645	56K, 1%, 0.1W	4822 117 11148	3880	3.3K, 5%, 0.1W	4822 051 20332
3646	56K, 1%, 0.1W	4822 117 11148	3881	1K, 2%, 0.25W	4822 051 10102
3649	100K, 1%, 0.1W	4822 117 10837	3882	1K, 2%, 0.25W	4822 051 10102
3650	100K, 1%, 0.1W	4822 117 10837	3883	12K, 1%, 0.1W	4822 117 11383
3651	56K, 1%, 0.1W	4822 117 11148	3884	12K, 1%, 0.1W	4822 117 11383
3652	56K, 1%, 0.1W	4822 117 11148	3885	12K, 1%, 0.1W	4822 117 11383
3655	100K, 1%, 0.1W	4822 117 10837	3886	12K, 1%, 0.1W	4822 117 11383
3656	100K, 1%, 0.1W	4822 117 10837	3887	12K, 1%, 0.1W	4822 117 11383
3657	56K, 1%, 0.1W	4822 117 11148	3888	12K, 1%, 0.1W	4822 117 11383
3658	56K, 1%, 0.1W	4822 117 11148	3889	2.2K, 1%, 0.1W	4822 117 11449
3659	2.7K, 1%, 0.1W, 0805	4822 117 12955	3890	2.2K, 1%, 0.1W	4822 117 11449
3660	2.7K, 1%, 0.1W, 0805	4822 117 12955	3891	8.2K, 5%, 0.1W	4822 051 20822
3661	5.6K, 5%, 0.1W, 0805	4822 051 20562	3892	8.2K, 5%, 0.1W	4822 051 20822
3662	5.6K, 5%, 0.1W, 0805	4822 051 20562	3893	8.2K, 5%, 0.1W	4822 051 20822
3663	2.7K, 1%, 0.1W, 0805	4822 117 12955	3895	8.2K, 5%, 0.1W	4822 051 20822
3664	2.7K, 1%, 0.1W, 0805	4822 117 12955	3896	8.2K, 5%, 0.1W	4822 051 20822
3665	5.6K, 5%, 0.1W, 0805	4822 051 20562	S 3901	47 Ohm, 5%, 0.33W	4822 052 10479
3666	5.6K, 5%, 0.1W, 0805	4822 051 20562	3902	56K, 1%, 0.1W	4822 117 11148
3667	2.7K, 1%, 0.1W, 0805	4822 117 12955	3903	47K, 1%, 0.1W	4822 117 10834
3668	2.7K, 1%, 0.1W, 0805	4822 117 12955	3904	47K, 5%, 0.5W	4822 116 83884
3669	5.6K, 5%, 0.1W, 0805	4822 051 20562	3905	4.7 Ohm, 1%, 0.6W	4822 050 24708
3670	5.6K, 5%, 0.1W, 0805	4822 051 20562	3906	56K, 1%, 0.1W	4822 117 11148
3671	47K, 1%, 0.1W	4822 117 10834	3908	1.8K, 5%, 0.1W	4822 051 20182
3672	47K, 1%, 0.1W	4822 117 10834	3910	4.7 Ohm, 1%, 0.6W	4822 050 24708
3673	2.2K, 1%, 0.1W	4822 117 11449	3911	56K, 1%, 0.1W	4822 117 11148
3674	2.2K, 1%, 0.1W	4822 117 11449	3913	1.8K, 5%, 0.1W	4822 051 20182
3675	100 Ohm, 5%, 0.1W	4822 051 20101	3914	56K, 1%, 0.1W	4822 117 11148
3676	100 Ohm, 5%, 0.1W	4822 051 20101	S 3915	47 Ohm, 5%, 0.33W	4822 052 10479
3677	47K, 1%, 0.1W	4822 117 10834	S 3916	4.7 Ohm, 5%, 1W	4822 053 10478
3678	47K, 1%, 0.1W	4822 117 10834	3917	33K, 1%, 0.6W	4822 050 23303
3679	2.2K, 1%, 0.1W	4822 117 11449	3918	220 Ohm, 1%, 0.1W	4822 117 11503
3680	2.2K, 1%, 0.1W	4822 117 11449	S 3919	4.7 Ohm, 5%, 1W	4822 053 10478
3681	100 Ohm, 5%, 0.1W	4822 051 20101	3920	100K, 1%, 0.1W	4822 117 10837

S = Safety Part Be sure to use exact replacement part.

3921	1K, 2%, 0.25W	4822 051 10102	4832	0 Ohm Jumper, (0805)	4822 051 20008
3922	1K, 2%, 0.25W	4822 051 10102	4835	0 Ohm Jumper, (0805)	4822 051 20008
3925	10K, 1%, 0.1W	4822 117 10833	4902	0 Ohm Jumper, (0805)	4822 051 20008
S 3926	0.22 Ohm, 5%, 1W	4822 117 11744	4903	0 Ohm Jumper, (0805)	4822 051 20008
S 3927	0.22 Ohm, 5%, 1W	4822 117 11744	4904	0 Ohm Jumper, (0805)	4822 051 20008
3928	1.5K, 1%, 0.1W	4822 117 11139	4905	0 Ohm Jumper, (0805)	4822 051 20008
3929	1.5K, 1%, 0.1W	4822 117 11139	4907	0 Ohm Jumper, (0805)	4822 051 20008
S 3930	0.22 Ohm, 5%, 1W	4822 117 11744	4908	0 Ohm Jumper, (0805)	4822 051 20008
S 3931	0.22 Ohm, 5%, 1W	4822 117 11744	4909	0 Ohm Jumper, (0805)	4822 051 20008
3935	1K, 2%, 0.25W	4822 051 10102	4910	0 Ohm Jumper, (0805)	4822 051 20008
3936	100K, 1%, 0.1W	4822 117 10837	4914	0 Ohm Jumper, (0805)	4822 051 20008
3937	10K, 1%, 0.1W	4822 117 10833	4915	0 Ohm Jumper, (0805)	4822 051 20008
3938	2.2K, 1%, 0.1W	4822 117 11449	4916	0 Ohm Jumper, (0805)	4822 051 20008
3939	2.2K, 1%, 0.1W	4822 117 11449	4917	0 Ohm Jumper, (0805)	4822 051 20008
3940	220 Ohm, 1%, 0.1W	4822 117 11503	4918	0 Ohm Jumper, (0805)	4822 051 20008
3941	220 Ohm, 1%, 0.1W	4822 117 11503		SEMICONDUCTORS	
3943	10K, 1%, 0.1W	4822 117 10833	6251	Diode, D5SBA20	4822 130 82078
3944	220 Ohm, 1%, 0.1W	4822 117 11503	6257	Diode, 1N4003G	4822 130 31878
3945	220 Ohm, 1%, 0.1W	4822 117 11503	6258	Diode, 1N4003G	4822 130 31878
3946	470 Ohm, 5%, 0.1W	4822 051 20471	6259	Diode, 1N4003G	4822 130 31878
3947	470 Ohm, 5%, 0.1W	4822 051 20471	6260	IC, Regulator, L7812CP	4822 209 33575
3948	220 Ohm, 1%, 0.1W	4822 117 11503	6261	Diode, 1N4003G	4822 130 31878
3949	220 Ohm, 1%, 0.1W	4822 117 11503	6262	Diode, 1N4003G	4822 130 31878
3950	1.8K, 5%, 0.1W	4822 051 20182	6263	Diode, 1N4003G	4822 130 31878
3951	1.8K, 5%, 0.1W	4822 051 20182	6265	IC, Regulator, L7805CP	4822 209 31841
3952	100 Ohm, 5%, 0.1W	4822 051 20101	6267	IC, Regulator, L7805CP	4822 209 31841
3953	100 Ohm, 5%, 0.1W	4822 051 20101	6268	Diode, 1N4003G	4822 130 31878
3954	100 Ohm, 5%, 0.1W	4822 051 20101	6270	Diode, BZX79-B6V8	4822 130 34278
3955	100 Ohm, 5%, 0.1W	4822 051 20101	6271	Diode, 1N4148	4822 130 30621
3956	100K, 5%, 0.5W	4822 116 52234	6274	Diode, 1N4003G	4822 130 31878
4251	0 Ohm Jumper, (0805)	4822 051 20008	6275	Diode, 1N4003G	4822 130 31878
4252	0 Ohm Jumper, (0805)	4822 051 20008	6276	Diode, BZX79-B5V6	4822 130 34173
4254	0 Ohm Jumper, (0805)	4822 051 20008	6279	Diode, 1N4148	4822 130 30621
4255	0 Ohm Jumper, (0805)	4822 051 20008	6280	Diode, BZX79-B10	4822 130 61219
4256	0 Ohm Jumper, (0805)	4822 051 20008	6281	Diode, BZX79-B22	4822 130 34441
4257	0 Ohm Jumper, (0805)	4822 051 20008	6289	Diode, 1N4148	4822 130 30621
4258	0 Ohm Jumper, (0805)	4822 051 20008	6290	Diode, 1N4148	4822 130 30621
4260	0 Ohm Jumper, (0805)	4822 051 20008	6304	Diode, BZX79-B3V3	5322 130 31504
4283	0 Ohm Jumper, (0805)	4822 051 20008	6305	Diode, 1N4148	4822 130 30621
4284	0 Ohm Jumper, (0805)	4822 051 20008	6501	Diode, 1N4148	4822 130 30621
4285	0 Ohm Jumper, (0805)	4822 051 20008	6601	Diode, 1N4148	4822 130 30621
4287	0 Ohm Jumper, (0805)	4822 051 20008	6602	Diode, 1N4148	4822 130 30621
4320	0 Ohm Jumper, (0805)	4822 051 20008	6641	Diode, 1N4148	4822 130 30621
4506	0 Ohm Jumper, (0805)	4822 051 20008	6642	Diode, 1N4148	4822 130 30621
4513	0 Ohm Jumper, (0805)	4822 051 20008	6643	Diode, 1N4148	4822 130 30621
4514	0 Ohm Jumper, (0805)	4822 051 20008	6644	Diode, 1N4148	4822 130 30621
4515	0 Ohm Jumper, (0805)	4822 051 20008	6645	Diode, 1N4148	4822 130 30621
4516	0 Ohm Jumper, (0805)	4822 051 20008	6646	Diode, 1N4148	4822 130 30621
4517	0 Ohm Jumper, (0805)	4822 051 20008	6647	Diode, 1N4148	4822 130 30621
4518	0 Ohm Jumper, (0805)	4822 051 20008	6648	Diode, 1N4148	4822 130 30621
4519	0 Ohm Jumper, (0805)	4822 051 20008	6649	Diode, 1N4003G	4822 130 31878
4520	0 Ohm Jumper, (0805)	4822 051 20008	S 6650	Diode, BZX79-B10	4822 130 61219
4521	0 Ohm Jumper, (0805)	4822 051 20008	6801	Diode, BZX79-B6V8	4822 130 34278
4522	0 Ohm Jumper, (0805)	4822 051 20008	6802	Diode, BZX79-B6V8	4822 130 34278
4523	0 Ohm Jumper, (0805)	4822 051 20008	6803	Diode, BZX79-B6V8	4822 130 34278
4524	0 Ohm Jumper, (0805)	4822 051 20008	6804	Diode, BZX79-B6V8	4822 130 34278
4526	0 Ohm Jumper, (0805)	4822 051 20008	6805	Diode, BZX79-B6V8	4822 130 34278
4528	0 Ohm Jumper, (0805)	4822 051 20008	6806	Diode, BZX79-B6V8	4822 130 34278
4529	0 Ohm Jumper, (0805)	4822 051 20008	6807	Diode, BZX79-B6V8	4822 130 34278
4530	0 Ohm Jumper, (0805)	4822 051 20008	6808	Diode, BZX79-B6V8	4822 130 34278
4531	0 Ohm Jumper, (0805)	4822 051 20008	6809	Diode, 1N4148	4822 130 30621
4532	0 Ohm Jumper, (0805)	4822 051 20008	6810	Diode, BZX79-B5V1	4822 130 34233
4533	0 Ohm Jumper, (0805)	4822 051 20008	6811	Diode, BZX79-B8V2	4822 130 34382
4537	0 Ohm Jumper, (0805)	4822 051 20008	6831	Diode, 1N4148	4822 130 30621
4538	0 Ohm Jumper, (0805)	4822 051 20008	6832	Diode, 1N4148	4822 130 30621
4539	0 Ohm Jumper, (0805)	4822 051 20008	6905	Diode, BZX79-B15	4822 130 34281
4540	0 Ohm Jumper, (0805)	4822 051 20008	7253	Transistor, BC847B	4822 130 60511
4541	0 Ohm Jumper, (0805)	4822 051 20008	7255	Transistor, BC856B	4822 130 60373
4542	0 Ohm Jumper, (0805)	4822 051 20008	7256	Transistor, BC847B	4822 130 60511
4543	0 Ohm Jumper, (0805)	4822 051 20008	7257	Transistor, BC327-25	4822 130 41246
4544	0 Ohm Jumper, (0805)	4822 051 20008	7258	Transistor, BC327-25	4822 130 41246
4545	0 Ohm Jumper, (0805)	4822 051 20008	7259	Transistor, BC847B	4822 130 60511
4548	0 Ohm Jumper, (0805)	4822 051 20008	7260	Transistor, BC847B	4822 130 60511
4550	0 Ohm Jumper, (0805)	4822 051 20008	7261	Transistor, BC856B	4822 130 60373
4551	0 Ohm Jumper, (0805)	4822 051 20008	7301	IC, STK496-270	4822 209 17447
4552	0 Ohm Jumper, (0805)	4822 051 20008	7304	Transistor, BC847B	4822 130 60511
4553	0 Ohm Jumper, (0805)	4822 051 20008	7305	Transistor, BC847B	4822 130 60511
4555	0 Ohm Jumper, (0805)	4822 051 20008	7306	Transistor, BC847B	4822 130 60511
4556	0 Ohm Jumper, (0805)	4822 051 20008	7307	Transistor, BC847B	4822 130 60511
4557	0 Ohm Jumper, (0805)	4822 051 20008	7309	Transistor, BC856B	4822 130 60373
4558	0 Ohm Jumper, (0805)	4822 051 20008	7310	Transistor, BC847B	4822 130 60511
4559	0 Ohm Jumper, (0805)	4822 051 20008	7501	IC, LC7821	4822 209 72748
4560	0 Ohm Jumper, (0805)	4822 051 20008	7503	IC, NJM4560M	4822 209 83357
S 4563	1 Ohm, 5%	4822 117 11151	7504	IC, NJM4560M	4822 209 83357
4564	0 Ohm Jumper, (0805)	4822 051 20008	7571	IC, NJM4560DD	4822 209 70157
4565	0 Ohm Jumper, (0805)	4822 051 20008	7572	IC, LC7821	4822 209 72748
4566	0 Ohm Jumper, (0805)	4822 051 20008	7601	IC, NJM4556MB	4822 209 31378
4642	0 Ohm Jumper, (0805)	4822 051 20008	7621	Transistor, BC817-40	4822 130 42615
4644	0 Ohm Jumper, (0805)	4822 051 20008	7622	Transistor, BC817-40	4822 130 42615
4651	0 Ohm Jumper, (0805)	4822 051 20008	7641	IC, TDA7437T	4822 209 17386
4652	0 Ohm Jumper, (0805)	4822 051 20008	7642	IC, TDA7437T	4822 209 17386
4653	0 Ohm Jumper, (0805)	4822 051 20008	7643	IC, TDA7437T	4822 209 17386

S = Safety Part Be sure to use exact replacement part.



7644	Transistor, BC337 . . . . .	4822	130	40855
7651	Transistor, BC817-40 . . . . .	4822	130	42615
7652	Transistor, BC817-40 . . . . .	4822	130	42615
7653	Transistor, BC817-40 . . . . .	4822	130	42615
7654	Transistor, BC817-40 . . . . .	4822	130	42615
7655	Transistor, BC817-40 . . . . .	4822	130	42615
7656	Transistor, BC817-40 . . . . .	4822	130	42615
7657	Transistor, BC856B . . . . .	4822	130	60373
7658	Transistor, BC856B . . . . .	4822	130	60373
7660	IC, NJM4560M . . . . .	4822	209	83357
7661	Transistor, BC817-40 . . . . .	4822	130	42615
7662	Transistor, BC817-40 . . . . .	4822	130	42615
7801	Transistor, BC847B . . . . .	4822	130	60511
S 7802	Transistor, BC557B . . . . .	4822	130	44568
7803	IC, STV6401 . . . . .	4822	209	16886
7901	IC, STK496-070 . . . . .	4822	209	17385
7902	Transistor, BC847B . . . . .	4822	130	60511
7903	Transistor, BC847B . . . . .	4822	130	60511
7904	Transistor, BC847B . . . . .	4822	130	60511
7908	Transistor, BC856B . . . . .	4822	130	60373
7909	Transistor, BC847B . . . . .	4822	130	60511
7910	Transistor, BD242BFP . . . . .	9322	139	22687

## EXPLODED VIEW PARTS

	EXPLODED VIEW PARTS			
1	FRONT CABINET ASM. FR965/17 . . . . .	3104	217	52930
2	BUTTON HINGE ASM. SURROUND . . . . .	4822	410	12442
3	BUTTONS HINGE TUNER . . . . .	4822	410	12435
4	BUTTON HINGE ASM. MENU . . . . .	4822	410	12443
5	BUTTONS HINGE BASS TREBLE . . . . .	4822	410	12436
6	BUTTONS EASY LINK . . . . .	4822	410	12437
8	LIGHT GUIDE SURROUND . . . . .	4822	380	10274
9	LIGHT GUIDE VIRTUAL/HALL . . . . .	3104	214	38460
10	LIGHT GUIDE SELECTOR . . . . .	4822	380	10277
11	ORN. PLATE ASM. FR960/01/17 . . . . .	3104	217	52450
12	RING KNOB, VOLUME . . . . .	3104	217	52130
13	RING KNOB, SOURCE SELECTOR . . . . .	3104	217	52140
14	WINDOW DISPLAY ASM. FR960/01/17 . . . . .	3104	217	52260
25	KNOB, VOLUME (BL) . . . . .	4822	410	12438
26	KNOB, SOURCE SELECTOR . . . . .	4822	410	12439
27	KNOB, MENU NAV (BL) . . . . .	4822	410	12441
28	BADGE, PHILIPS . . . . .	4822	459	10887
36	LEG, SILVER . . . . .	4822	691	10773
38	LEG, SILVER . . . . .	4822	691	10773
115	POWER ROD . . . . .	4822	535	10638
116	POWER CAP. . . . .	4822	462	11176
117	BUSH . . . . .	4822	532	60948
125	COVERPLATE . . . . .	4822	442	01817
1001	FRONT DISPLAY PANEL . . . . .	0000	0--	-- --
1002	MONO BOARD ASSEMBLY . . . . .	0000	0--	-- --
1003	MULTI CHANNEL DECODING . . . . .	3104	217	05750
1004	MAINS BOARD ASSEMBLY . . . . .	0000	0--	-- --
1005	EC05 TUNER PANEL . . . . .	0000	0--	-- --
S 5001	TRANSFORMER, FR965/17 5 X 50W . . . . .	3104	218	31000
8002	FLEXIBLE FOIL, 15P 220MM . . . . .	4822	320	12706
S 8020	MAINSCORD UL . . . . .	3139	118	77230
AC01	HOME CINEMA SPEAKER 60W . . . . .	3104	219	04220
AC02	HOME CINEMA CENTER SPEAKER 60W . . . . .	3104	219	04200
AC03	SUBWOOFER FB201V/17 . . . . .	3104	219	03730
AC04	CORD SET, L/R BOX . . . . .	4822	320	12719
AC05	CORD SET, CENTER SPEAKER . . . . .	4822	320	12721
AC06	CORD SET, SURROUND SPEAKER . . . . .	4822	320	12722
AC07	FM AERIAL, 300 Ohm . . . . .	4822	320	11094
AC08	P50 ADAPTOR . . . . .	4822	263	21206
AC09	AM ANTENNA FRAME . . . . .	4822	303	50082
AC10	REMOTE CONTROL . . . . .	3104	219	03770
AC11	ASSEMBLY CINCH/CINCH 1M . . . . .	4822	321	61452
AC12	IFU MX960/37 (OWNER'S MANUAL) . . . . .	3104	215	36260

S = Safety Part Be sure to use exact replacement part.